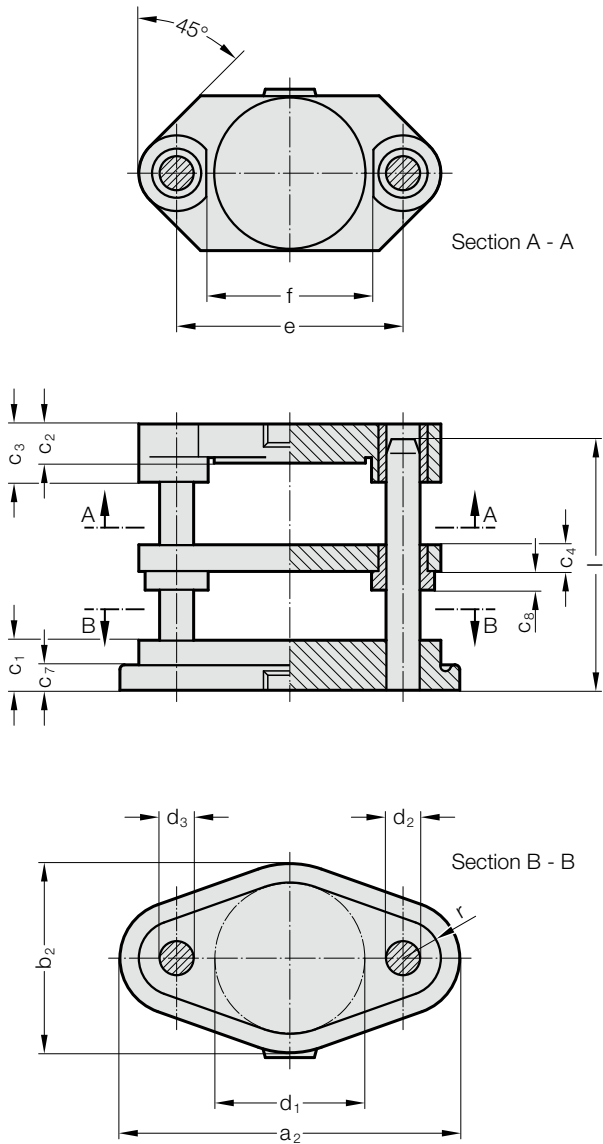
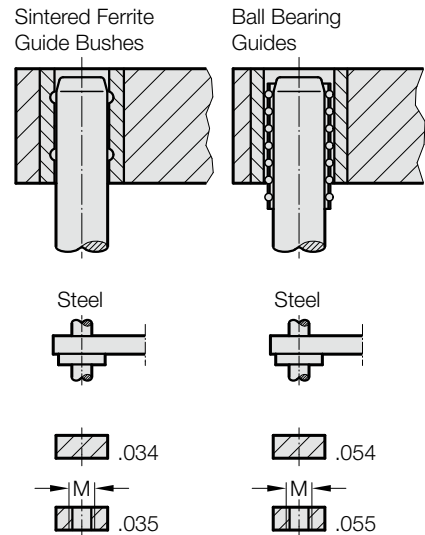


DIE SET DIN 9814 SHAPE D/DG

201.03.



Guide Elements



Stripper

Order No (part 2)
Available without or
with shank thread
in top bolster

201.03. Die set DIN 9814 Shape D/DG

Order No part 1*	Work area															
	d ₁	a ₂	b ₂	C ₁	C ₂	C ₃	C ₄	C ₇	C ₈	d ₂	d ₃	e	f	l	r	M
201.03.100.□□□.□□	100	275	140	50	30	50	22	30	18	25	24	165	119	160 - 500	35	20x1.5
201.03.125.□□□.□□	125	300	165	50	30	50	22	30	18	25	24	190	144	160 - 500	35	20x1.5
201.03.160.□□□.□□	160	360	200	56	40	60	27	30	18	32	30	240	184	180 - 500	40	24x1.5

*Order number part 2 = add guide type and guide pillar type/length
 Order example, see beginning of chapter A cast pillar frames