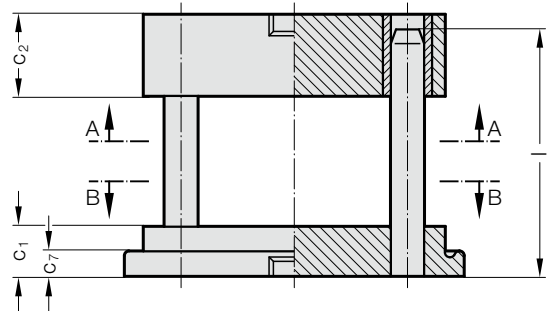
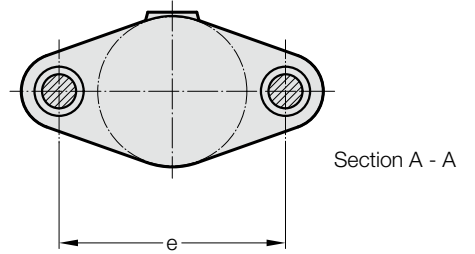


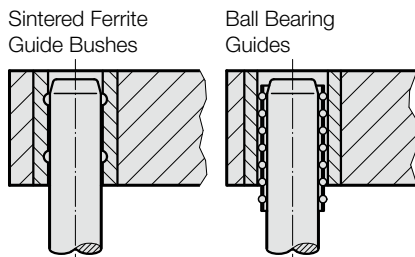
DIE SET DIN 9816 SHAPE D



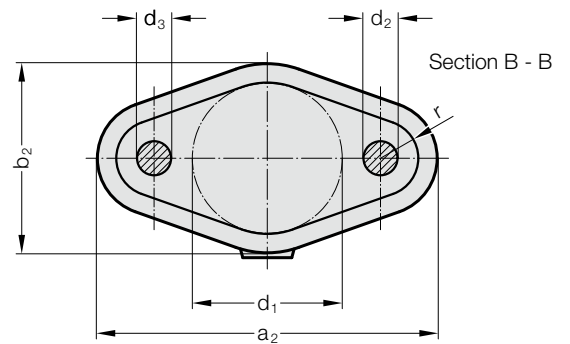
201.05.



Guide Elements



Order No (part 2)
Without shank thread
in top bolster



201.05. Die set DIN 9816 Shape D

Order No part 1*	Work area										
	d ₁	a ₂	b ₂	c ₁	c ₂	c ₇	d ₂	d ₃	e	l	r
201.05.063.□□□.□□	63	182	100	40	65	20	16	15	106	140 - 355	20
201.05.080.□□□.□□	80	236	120	50	70	30	20	19	140	160 - 400	28
201.05.100.□□□.□□	100	275	140	50	75	30	25	24	165	180 - 500	35
201.05.125.□□□.□□	125	300	165	50	80	30	25	24	190	180 - 500	35
201.05.160.□□□.□□	160	360	200	56	90	30	32	30	240	224 - 500	40
201.05.200.□□□.□□	200	400	240	56	100	30	32	30	280	224 - 500	40

*Order number part 2 = add guide type and guide pillar type/length
 Order example, see beginning of chapter A cast pillar frames