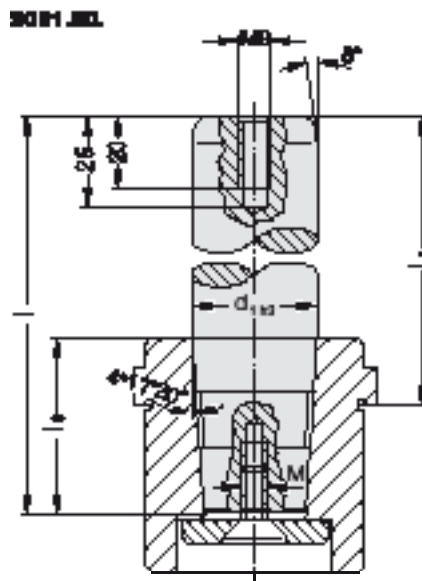


GUIDE PILLAR, CONICAL, DIN 9825/ISO 9182-4/AFNOR



Description:

FIBRO demountable pillars with conical shaft 2021.50. are recommended where die sharpening etc. demands frequent demounting and re-fitting.

Material:

Steel, (Core strength: $\geq 900 \text{ N/mm}^2$) surface hardened

Surface hardness: $60 + 3 \text{ HRC}$, Hardness penetration $\geq 1,8 \text{ mm}$


Execution:


fine-ground and superfinished

Method of manufacturing entails that centre holes are not concentric with O.D.

Note:

Matching retaining bushes 2021.39./210.39. and retaining discs 2021.53./202.53. to be ordered separately.

 Preloading see pairing classification at the beginning of chapter D

 Matching guide combinations, see selection matrix at the beginning of chapter D.

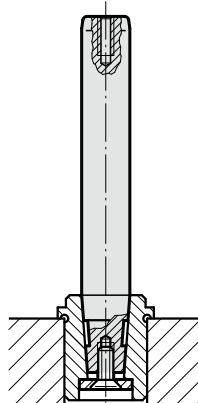
Tolerance range:

yellow = .10

green = .20

red = .30

Mounting example



GUIDE PILLAR, CONICAL, DIN 9825/ISO 9182-4/AFNOR

2021.50. Guide pillar, conical, DIN 9825/ISO 9182-4/AFNOR

d ₁	16	19 20	24 25	25	30 32	32	38 40	40	48 50	50	60 63	63	63
d ₆	22	22	25	25	32	32	40	40	50	50	63	63	63
M	6	6	8	8	8	8	8	8	10	10	12	12	12
l ₃	28	38	35	45	48	61	48	61	58	78	69	77	97
l ₁	1												
82	100												
95	113												
100		126	123										
112	130	138	135		145								
125	143	151	148	158	158		158						
140		166	163		173	186	173		180				
160		186	183	193	193	206	193	206	200		211		
180		206	203	213	213	226	213	226	220		231	237	
200		226	223	233	233		233		240	260	251	257	
224			247		257	270	257	270	264		275		
250			273		283		283	296	290	310	301	307	327
280					313		313		320	340	331	337	
315							348		355	375	366	372	392
355									395		406		432
400													477

Ordering Code (example):

Guide pillar, conical, DIN 9825/ISO 9182-4/AFNOR	=	2021.50.
Diameter of conduit d ₁	38 mm =	038.
Guide length l ₁	180 mm =	180.
Cone length l ₃	48 mm =	048.
Classification TOL	yellow =	10
Order No	=	2021.50. 038. 180. 048. 10