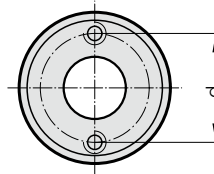
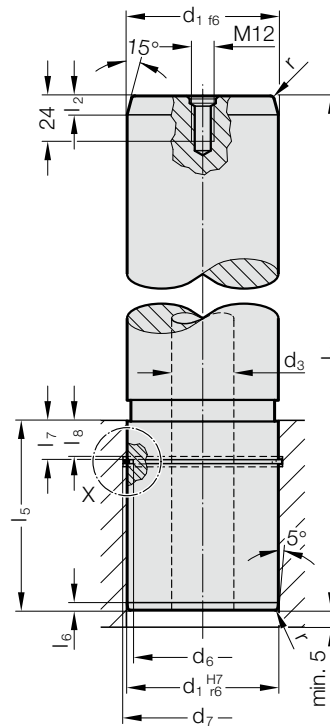


GUIDE PILLAR WITH SNAP RING GROOVE, TO MERCEDES-BENZ STANDARD



2022.16.



Material:

Steel, surface hardened
 Surface hardness: 60 + 4 HRC, Hardness penetration 1,5 + 1 mm

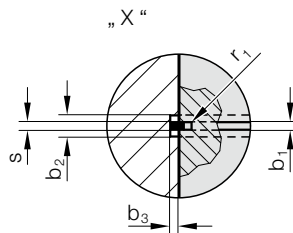
Execution:

ground
 up to $\varnothing d_1 = 80$ without central hole
 by $\varnothing d_1 = 80$ with 1 lifting thread M12
 from $\varnothing d_1 = 100$ with central hole (through) and with 2 lifting threads M12

Note:

Secure with snap ring 2061.48.
 Guide pillar is recommended to be used only with guide elements with solid lubricant.
 ☞ Matching guide combinations, see selection matrix at the beginning of chapter D.
 ☞ Assembly guide lines / Dimensional requirements and tolerances at the end of chapter D.

Mounting example



GUIDE PILLAR WITH SNAP RING GROOVE, TO MERCEDES-BENZ STANDARD

2022.16. Guide pillar with snap ring groove, to Mercedes-Benz Standard

d ₁	40	50	63	80	100	125	160
d ₃	-	-	-	-	50	65	95
d ₅	-	-	-	-	72	90	132
d ₆	33	43	55.7	71.4	89.9	114.9	148.9
r	2	2.5	2.5	3	3	4	4
r ₁	1	1	1	1.05	1.3	1.3	1.3
l ₂	8	10	10	10	10	12	12
l ₅	56	70	80	100	125	140	180
l ₆	4	4	4	4	4	5	5
l ₇	15	15	15	21	31	31	31
l ₈	14	14	14	20	30	30	30
b ₁	2	2	2	2.1	2.6	2.6	2.6
b ₂	3.2	3.2	3.2	4.2	5.2	5.2	5.2
l ₁							
140	●						
160	●	●					
180	●	●	●				
200	●	●	●				
224	●	●	●	●			
250	●	●	●	●	●		
280	●	●	●	●	●	●	
315		●	●	●	●	●	●
355		●	●	●	●	●	●
400			●	●	●	●	●
450				●	●	●	●
500				●	●	●	●
560							●

Ordering Code (example):

Guide pillar with snap ring groove,
to Mercedes-Benz Standard = 2022.16.
Diameter of conduit d₁ 80 mm = 080.
Length l₁ 224 mm = 224
Order No = 2022.16. 080. 224