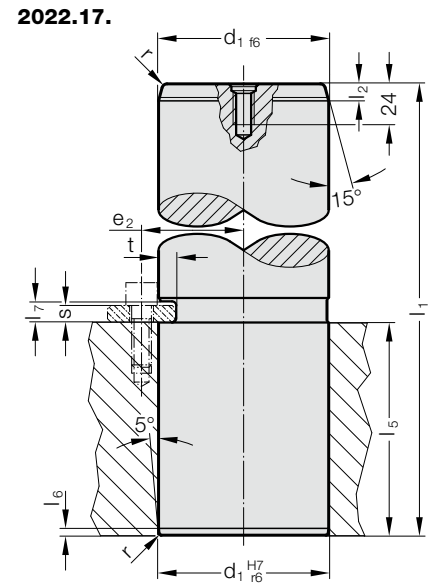


GUIDE PILLAR WITH GROOVE, TO VW



Material:

Steel, surface hardened
 Surface hardness: 60 + 4 HRC, Hardness penetration 1,5 + 1 mm

Execution:

ground
 ø d₁ = 80 with 1 lifting thread M12

Note:

Secure with locating plate 2022.40.1.
 Guide pillar is recommended to be used only with guide elements with solid lubricant.

☞ Matching guide combinations, see selection matrix at the beginning of chapter D.

☞ Assembly guide lines / Dimensional requirements and tolerances at the end of chapter D.

2022.17. Guide pillar with groove, to VW

d ₁	25	32	40	50	63	80
l ₂	8	8	8	10	10	10
l ₅	40	45	56	70	80	100
l ₆	4	4	4	4	4	4
l ₇	7	7	10	10	12	12
r	2	2	2	2.5	2.5	3
e ₂	20.5	24	29.5	33.5	43	50
t	3	3	4	4	6.5	8
l ₁						
125	●	●				
140	●	●	●			
160	●	●	●	●		
180	●	●	●	●	●	
200	●	●	●	●	●	
224	●	●	●	●	●	●
250		●	●	●	●	●
280			●	●	●	●
315				●	●	●
355				●	●	●
400					●	●
450						●
500						●

Ordering Code (example):

Guide pillar with groove, to VW	=	2022.17.
Diameter of conduit d ₁	50 mm	= 050.
Length l ₁	160 mm	= 160
Order No	=	2022.17. 050. 160