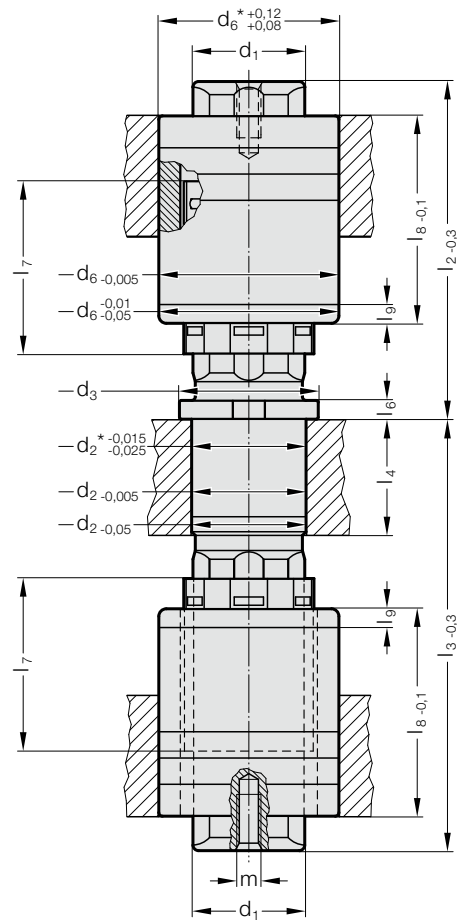


# GUIDE UNIT WITH CENTER FIXING MILLION GUIDE



2024.96.



## Description:

FIBRO Million Guide guide units are used wherever rigidity, robustness and a precision guide function is required.

The large supporting surface of the needle rollers ensures these properties.

For stroke speeds up to 50 m/min and temperatures up to 80°C.

## Material:

Needle roller cages: Plastic

Needle rollers: Steel, hardened

Guide bushes: Tool steel alloy, hardened,  
60 ± 2 HRC

Guide pillar: Tool steel alloy, hardened,  
60 ± 2 HRC

Disk: Steel

## Execution:

Guide unit consisting of a paired guide pillar, guide bushes and needle roller cages.

Guide pillar and bushes are executed at:

ø 16 with 4 running surfaces

ø 12, ø 20 - ø 30 with 6 running surfaces

## Note:

Install guide unit in accordance with the instructions.

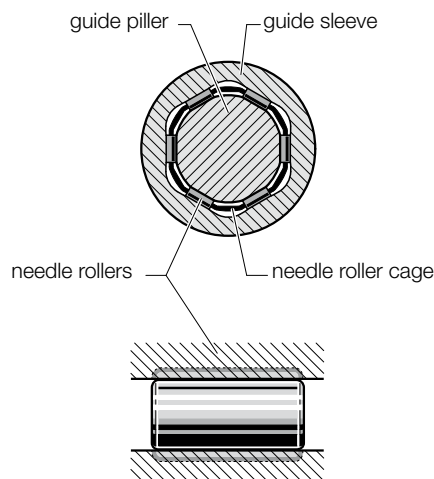
Guide bush must be bonded.

\* Mounting bore

Only the needle roller cage part is replaceable.

For order number for needle roller cage spare part, see table.

## Cross section of guide unit



# GUIDE UNIT WITH CENTER FIXING MILLION GUIDE

## 2024.96. Guide unit with center fixing MILLION GUIDE

d <sub>1</sub>	12	16	20	25	28
d <sub>2</sub>	12.5	16.5	20.5	25.5	28.5
d <sub>3</sub>	19	23	27	32	35
d <sub>6</sub>	22	28	34	40	45
m	M5x8	M6x15	M8x20	M8x20	M8x20
l <sub>4</sub>	12	16	20	25	28
l <sub>6</sub>	4	5	5	5	5
l <sub>7</sub>	30	30	46	56	66
l <sub>8</sub>	30	40	50	60	65
l <sub>9</sub>	-	-	20	20	20
Order no.	2024.94.012	2024.94.016	2024.96.020	2024.96.025	2024.96.028
Needle roller cage					
l <sub>3</sub>	l <sub>2</sub>				
50	40 50 60				
60	40 50 60				
70	40 50 60	40 50 60			
80		40 50 60 70	50 60 70		
90		50 60 70 80	50 60 70 80	60 70 80	70 80 90
100			60 70 80 90	60 70 80 90	70 80 90
110				70 80 90	70 80 90

### Ordering Code (example):

Guide unit with center fixing MILLION GUIDE	=	2024.96.
Diameter of conduit d <sub>1</sub>	20 mm =	020.
Length to bush l <sub>3</sub>	80 mm =	080.
Length with bush l <sub>2</sub>	50 mm =	050
Order No	=	2024.96. 020. 080. 050