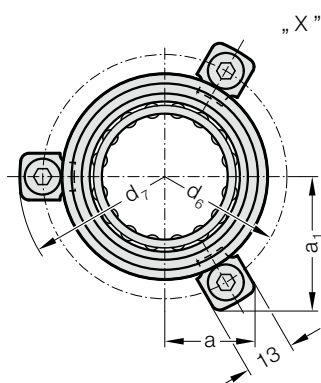
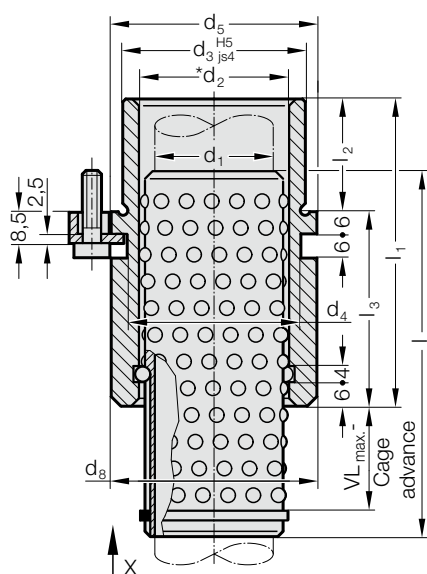


HEADED GUIDE BUSH WITH BALL CAGE RETAINER

2081.68.



Material:

Bush: Tool steel
 Hardness: 62 ± 2 HRC
 Cage: Aluminium
 Balls: Steel hardened (DIN 5401)

Note:

Ball cage position - please specify the required cage advance with order. FIBRO Ball Cage Retainers ensure optimum starting position of ball cages on inverted die sets - even if pillars retract from guide bushes. The application determines the cage advance. Note that cage travel is half the stroke length.

In this context it is of importance to note the minimum constructional length.

The cage advance should be chosen so that during normal operation of the tool, optimum position is achieved.

The attachment is with 3 Screw clamp, from $\varnothing d_1 = 38$ with 4 Screw clamp, which are included in delivery (Order No: 207.45 - Screw clamp incl. socket cap screw DIN 6912, Head $\varnothing 13$).

* Preloading see pairing classification at the beginning of chapter D
 Matching guide combinations, see selection matrix at the beginning of chapter D.

Tolerance range:

yellow = .10; green = .20; red = .30

2081.68. Headed guide bush with ball cage retainer

d_1	19 20	24 25	30 32	38 40	48 50	60 63
d_2	25 26	30 31	38 40	46 48	56 58	68 71
d_3	32	40	48	58	70	85
d_4	32	40	48	58	70	85
d_5	40	48	56	66	80	95
d_6	52	60	67	77	91	106
d_7	64.7	72.7	79.7	89.7	103.7	118.7
d_8	38.9	46	53	63	77	92
l_1	59	79	93	108	127	150
l_2	23	23	30	37	47	60
l_3	36	56	63	71	80	90
l	72	96	120	140	140	160
a	20.7	22.65	24.4	35.3	40.2	45.5
a_1	30	33.4	36.4	35.3	40.2	45.5
$VL_{max.}$	49	68	84	96	86	92

Ordering Code (example):

Headed guide bush with ball cage retainer	= 2081.68.
Diameter of conduit d_1	38 mm = 038.
Feed length VL	5 mm = 005.
Classification TOL	yellow = 10
Order No	= 2081.68. 038.005.10