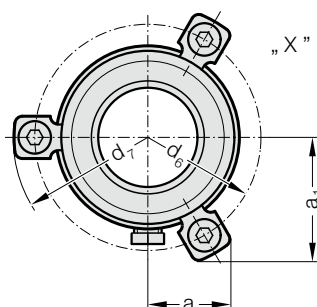
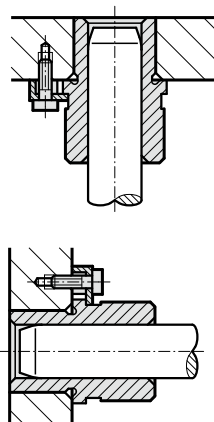
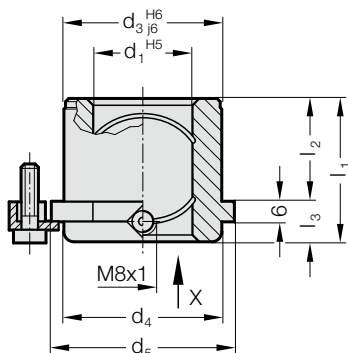


# HEADED GUIDE BUSH ECO-LINE, BRONZEPLATED, ISO 9448-6

2081.95.

## Mounting example



### Material:

Steel,  $d_3$  induction hardened

### Execution:

Bronze coated internal bore.  
Outside diameter fine-ground.

### Note:

The attachment is with 3 Screw clamp, from  $\varnothing d_1 = 38$  with 4 Screw clamp, which are included in delivery (Order No: 207.45 - Screw clamp incl. socket cap screw DIN 6912, Head  $\varnothing 13$ ).

Lubrication via funnel lubricating nipple with thread DIN 3405-A M8x1.

☞ Notes on sliding type guides at the beginning of chapter D.

☞ Matching guide combinations, see selection matrix at the beginning of chapter D.

☞ Assembly guide lines / Dimensional requirements and tolerances at the end of chapter D.

## 2081.95. Headed guide bush ECO-LINE, bronzeplated, ISO 9448-6

$d_1$	19 20	24 25	30 32	38 40	48 50	60 63	80
$d_3$	32	40	48	58	70	85	105
$d_4$	32	40	48	58	70	85	105
$d_5$	40	48	56	66	80	95	118
$d_6$	52	60	67	77	91	106	129
$d_7$	64.7	72.7	79.7	89.7	103.7	118.7	141
a	20.7	22.65	24.4	35.3	40.2	45.5	54.4
$a_1$	30	33.4	36.4	35.3	40.2	45.5	54.4
$l_1$	35	35	42	52	65	80	80
$l_2$	23	23	30	37	47	60	60
$l_3$	12	12	12	15	18	20	20

### Ordering Code (example):

Headed guide bush ECO-LINE,  
bronzeplated, ISO 9448-6 = 2081.95.  
Diameter of conduit  $d_1$  38 mm = 038  
Order No = 2081.95. 038