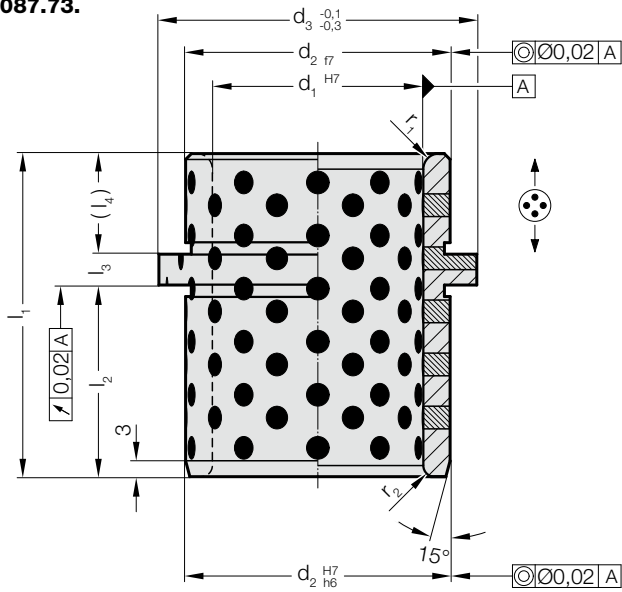


# GUIDE BUSH WITH COLLAR, BRONZE WITH SOLID LUBRICANT


2087.73.



**Material:**

Bronze with solid lubricant, oilless lubricating

**Note:**

 Assembly guide lines / Dimensional requirements and tolerances at the end of chapter D.

**Attention:**

Bushes can only be used with axial motion!

**2087.73. Guide bush with collar, Bronze with solid lubricant**

d <sub>1</sub>	25	30	40	40	50	50	60	63	63	63
d <sub>2</sub>	35	42	50	50	63	63	80	80	80	80
d <sub>3</sub>	40	47	60	60	72	72	86	90	90	90
r <sub>1</sub>	3	3	4	4	4	4	3	4	4	4
r <sub>2</sub>	2	2	2	2	3	3	3	3	3	3
l <sub>1</sub>	43	43	60	64	77	92	78	100	95	108
l <sub>2</sub>	24	24	35.5	39.5	44.5	55.5	49	62.5	55.5	62.5
l <sub>3</sub>	7.5	7.5	6	6	8	8	7.5	8	8	8
l <sub>4</sub>	11.5	11.5	18.5	18.5	24.5	28.5	21.5	29.5	31.5	37.5

**Ordering Code (example):**

Guide bush with collar, Bronze with solid lubricant	=2087.73.
Diameter of conduit d <sub>1</sub>	50 mm = 050.
total length l <sub>1</sub>	77 mm = 077
Order No	=2087.73. 050. 077