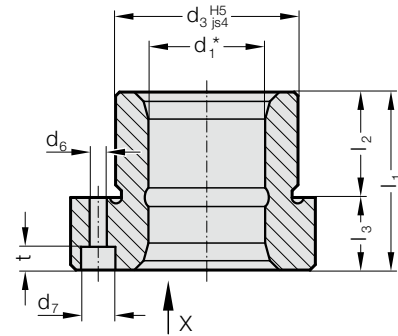
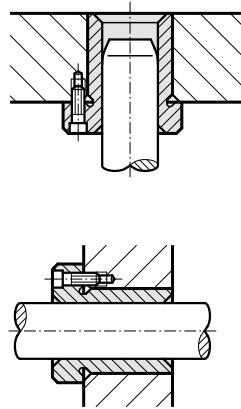


FLANGED GUIDE BUSH, SINTERED FERRITE CARBONITRIDED WITH LONG-TERM LUBRICATION, ISO 9448-4



Mounting example

2091.34.



Material:

Sintered ferrite of high purity, carbonitrided, long-term lubrication

Execution:

Bearing surfaces and outside diameter precision ground.

Note:

The guide bush is fixed by means of 3 screws up to ø 16: with screws to DIN 6912, from ø 19: with screws to DIN EN ISO 4762. The screws are not contained in the scope of delivery.

☞ Notes on sliding type guides at the beginning of chapter D.

*☞ Bearing clearance see pairing classification at the beginning of chapter D.

☞ Matching guide combinations, see selection matrix at the beginning of chapter D.

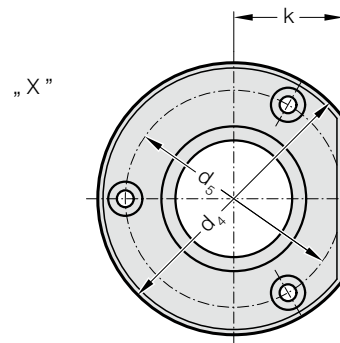
☞ Assembly guide lines / Dimensional requirements and tolerances at the end of chapter D.

Tolerance range:

yellow = .10

green = .20

red = .30



2091.34. Flanged guide bush, sintered ferrite carbonitrided with long-term lubrication, ISO 9448-4

d ₁	15 16	19 20	24 25	30 32	38 40	48 50
d ₃	28	32	40	48	58	70
d ₄	45	50	63	72	85	104
d ₅	35	40	50	58	70	86
d ₆	4.5	4.5	5.5	5.5	6.6	9
d ₇	8	8	10	10	11	15
k	15	18	23	28	33	38
l ₁	29	38	38	45	55	62
l ₂	23	23	23	30	30	37
l ₃	6	15	15	15	25	25
t	3.4	4.6	5.7	5.7	6.8	9

Ordering Code (example):

Flanged guide bush, sintered ferrite carbonitrided with long-term lubrication, ISO 9448-4

= 2091.34.

Diameter of conduit d₁ 30 mm = 030.

Classification TOL yellow = 10

Order No = 2091.34. 030. 10