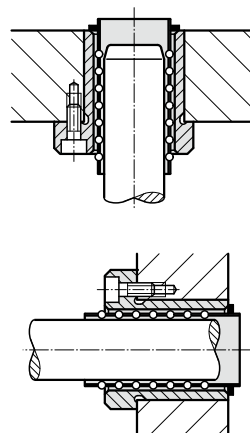
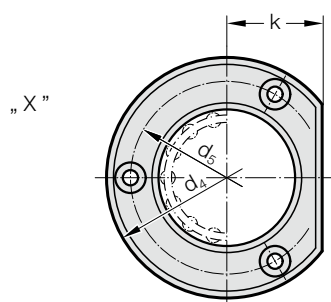
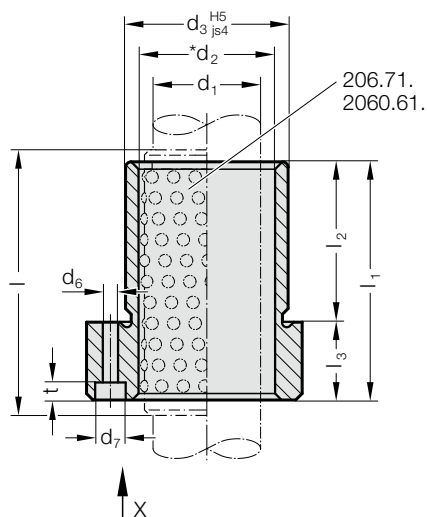


FLANGED GUIDE BUSH FOR BALL BEARING, ISO 9448-5

2091.44.

Mounting example



Material:

Tool steel, hardened 62 ± 2 HRC

Execution:

Bearing surfaces honed,
outside diameter precision ground.

Note:

The guide bush is fixed by means of 3 screws to DIN EN ISO 4762. The screws are not contained in the scope of delivery.

☞ Notes on ball bearing type guides at the beginning of chapter D.

*☞ Preloading see pairing classification at the beginning of chapter D

☞ Matching guide combinations, see selection matrix at the beginning of chapter D.

☞ Ball guide capacity calculations at the end of chapter D.

☞ Assembly guide lines / Dimensional requirements and tolerances at the end of chapter D.

Tolerance range:

yellow = .10

green = .20

red = .30

2091.44. Flanged guide bush for ball bearing, ISO 9448-5

d ₁	19 20	24 25	30 32	38 40	48 50	60 63	80
d ₂	25 26	30 31	38 40	46 48	56 58	68 71	92
d ₃	32	40	48	58	70	85	105
d ₄	50	63	72	85	104	120	148
d ₅	40	50	58	70	86	100	125
d ₆	4.5	5.5	5.5	6.6	9	9	11
d ₇	8	10	10	11	15	15	18
l ₁	52	62	72	77	102	102	125
l ₂	37	37	47	47	60	60	75
l ₃	15	25	25	30	42	42	50
l*	71	71	80	95	120	120	140

Ordering Code (example):

Flanged guide bush for ball bearing, ISO 9448-5	=	2091.44.
Diameter of conduit d ₁	38 mm =	038.
Classification TOL	yellow =	10
Order No	=	2091.44. 038. 10