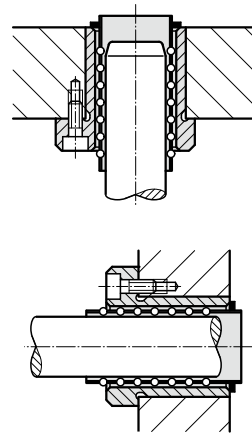
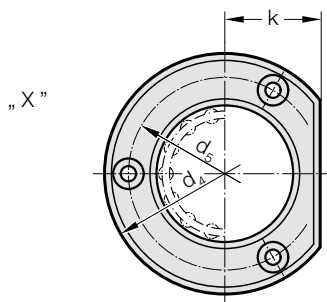
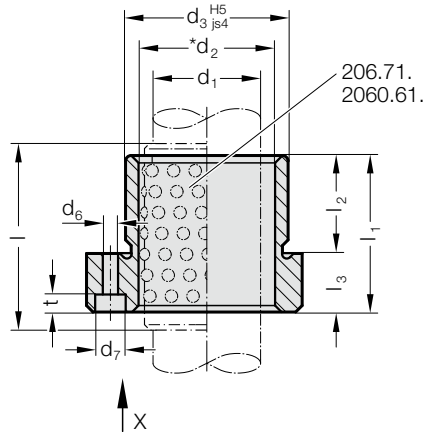


FLANGED GUIDE BUSH FOR BALL BEARING, ISO 9448-5

2091.46.

Mounting example



Material:

Tool steel, hardened 62 ± 2 HRC

Execution:

Bearing surfaces honed,
outside diameter precision ground.

Note:

The guide bush is fixed by means of 3 screws up to $\varnothing 16$: with screws to DIN 6912, from $\varnothing 19$: with screws to DIN EN ISO 4762.

The screws are not contained in the scope of delivery.

Notes on ball bearing type guides at the beginning of chapter D.

* Preloading see pairing classification at the beginning of chapter D

Matching guide combinations, see selection matrix at the beginning of chapter D.

Ball guide capacity calculations at the end of chapter D.

Assembly guide lines / Dimensional requirements and tolerances at the end of chapter D.

Tolerance range:

yellow = .10

green = .20

red = .30

2091.46. Flanged guide bush for ball bearing, ISO 9448-5

d_1	12	15 16	19 20	24 25	30 32	38 40	48 50
d_2	16	21 22	25 26	30 31	38 40	46 48	56 58
d_3	26	28	32	40	48	58	70
d_4	43	45	50	63	72	85	104
d_5	33	35	40	50	58	70	86
d_6	4.5	4.5	4.5	5.5	5.5	6.6	9
d_7	8	8	8	10	10	11	15
k	13	15	18	23	28	33	38
l_1	25	29	38	38	45	55	62
l_2	16	23	23	23	30	30	37
l_3	9	6	15	15	15	25	25
t	4.6	3.4	4.6	5.7	5.7	6.8	9
l^*	40	45	45	45	56	63	80

Ordering Code (example):

Flanged guide bush for ball bearing, ISO 9448-5 = 2091.46.

Diameter of conduit d_1 25 mm = 025.

Classification TOL yellow = 10

Order No = 2091.46. 025. 10