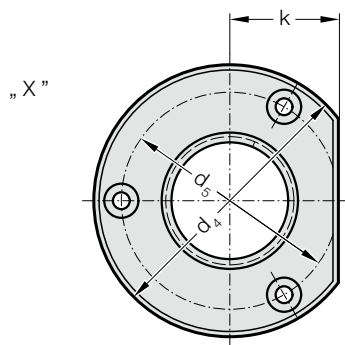
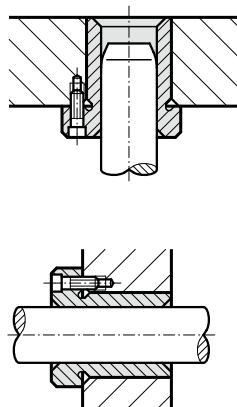
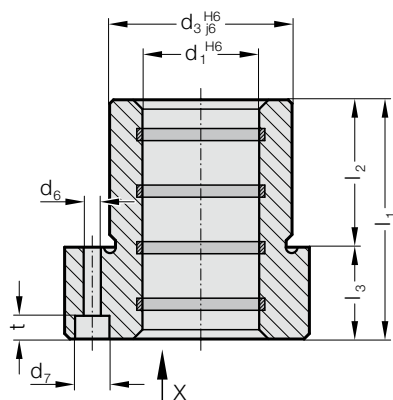


FLANGED GUIDE BUSH ECO-LINE, BRONZE WITH SOLID LUBRICANT RINGS, ISO 9448-4

2091.72.

Mounting example



Material:

Bronze with solid lubricant, oilless lubricating

Execution:

Contact surface with solid lubricant rings.
Outside diameter precision ground.

Note:

The guide bush is fixed by means of 3 screws up to $\varnothing 16$: with screws to DIN 6912, from $\varnothing 19$: with screws to DIN EN ISO 4762. The screws are not contained in the scope of delivery.

☞ Notes on sliding type guides at the beginning of chapter D.

☞ Matching guide combinations, see selection matrix at the beginning of chapter D.

☞ Assembly guide lines / Dimensional requirements and tolerances at the end of chapter D.

2091.72. Flanged guide bush ECO-LINE, Bronze with solid lubricant rings, ISO 9448-4

d_1	15 16	19 20	24 25	30 32	38 40	48 50	60 63
d_3	28	32	40	48	58	70	85
d_4	45	50	63	72	85	104	120
d_5	35	40	50	58	70	86	100
d_6	4.5	4.5	5.5	5.5	6.6	9	9
d_7	8	8	10	10	11	15	15
k	15	18	23	28	33	38	46
l_1	36	45	55	62	67	89	89
l_2	30	30	30	37	37	47	47
l_3	6	15	25	25	30	42	42
t	3.4	4.6	5.7	5.7	6.8	9	9

Ordering Code (example):

Flanged guide bush ECO-LINE, Bronze with solid lubricant rings, ISO 9448-4

= 2091.72.

Diameter of conduit d_1 32 mm = 032

Order No = 2091.72. 032