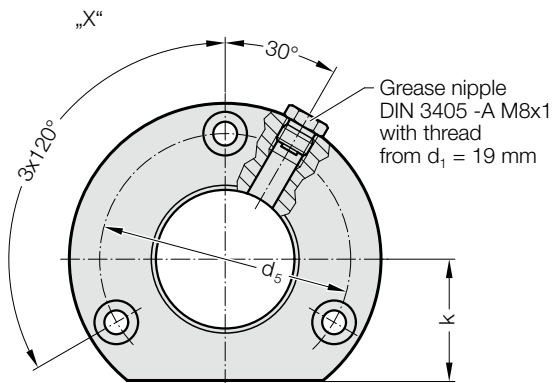
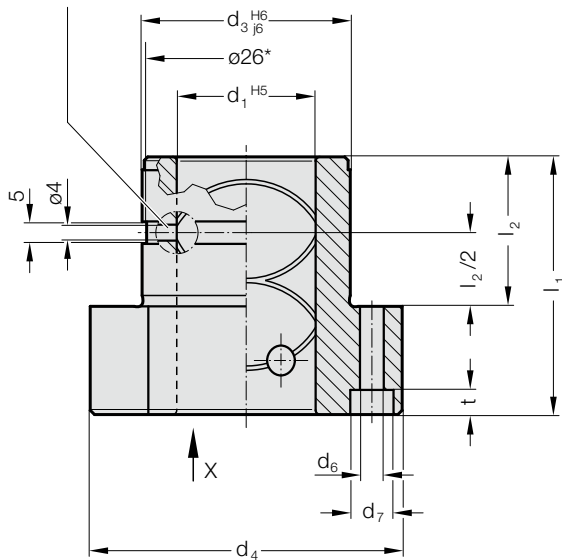


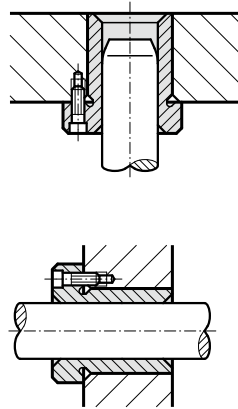
FLANGED GUIDE BUSH ECO-LINE, BRONZEPLATED, ISO 9448-4

2091.94.

Groove and lubrication hole by $d_1 = 15/16$ mm



Mounting example



Material:

Steel, d_3 induction hardened

Execution:

Bronze coated internal bore.

Outside diameter fine-ground.

Note:

The guide bush is fixed by means of 3 screws up to $\phi 16$: with screws to DIN 6912, from $\phi 19$: with screws to DIN EN ISO 4762.

The screws are not contained in the scope of delivery.

☞ Notes on sliding type guides at the beginning of chapter D.

☞ Matching guide combinations, see selection matrix at the beginning of chapter D.

☞ Assembly guide lines / Dimensional requirements and tolerances at the end of chapter D.

2091.94. Flanged guide bush ECO-LINE, bronzeplated, ISO 9448-4

d_1	15 16	19 20	24 25	30 32	38 40	48 50
d_3	28	32	40	48	58	70
d_4	45	50	63	72	85	104
d_5	35	40	50	58	70	86
d_6	4.5	4.5	5.5	5.5	6.6	9
d_7	8	8	10	10	11	15
k	15	18	23	28	33	38
l_1	29	38	38	45	55	62
l_2	23	23	23	30	30	37
t	3.4	4.6	5.7	5.7	6.8	9

Ordering Code (example):

Flanged guide bush ECO-LINE, bronzeplated,
ISO 9448-4

= 2091.94.

Diameter of conduit d_1 30 mm = 030

Order No = 2091.94. 030