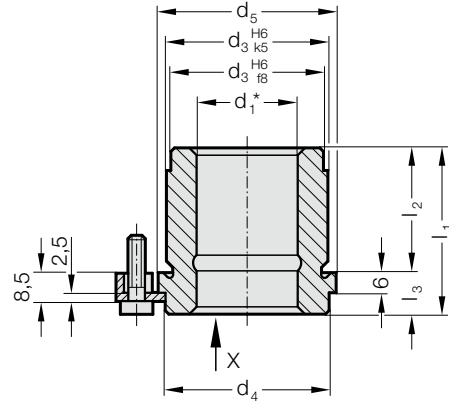
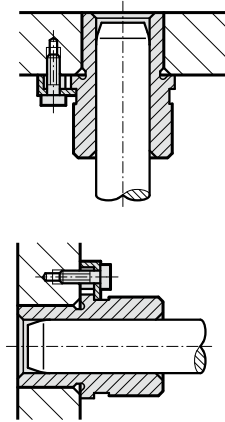


HEADED GUIDE BUSH, SINTERED FERRITE CARBONITRIDED WITH LONG-TERM LUBRICATION, ~AFNOR



Mounting example

210.35.



Material:

Sintered ferrite of high purity, carbonitrided, long-term lubrication

Execution:

Bearing surfaces and outside diameter precision ground.

Note:

The attachment is with 3 Screw clamp, from $\varnothing d_1 = 38$ with 4 Screw clamp, which are included in delivery (Order No: 207.45 - Screw clamp incl. socket cap screw DIN 6912, Head $\varnothing 13$).

☞ Notes on sliding type guides at the beginning of chapter D.

*☞ Bearing clearance see pairing classification at the beginning of chapter D.

☞ Matching guide combinations, see selection matrix at the beginning of chapter D.

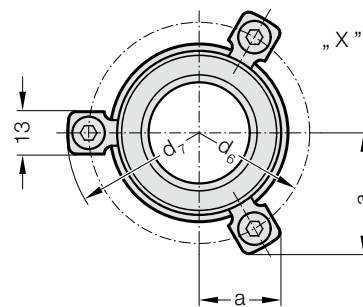
☞ Assembly guide lines / Dimensional requirements and tolerances at the end of chapter D.

Tolerance range:

yellow = .10

green = .20

red = .30



210.35. Headed guide bush, sintered ferrite carbonitrided with long-term lubrication, ~AFNOR

d_1	19 20	25	32	40	50
d_3	32	40	50	63	80
d_4	32	40	50	63	80
d_5	36	45	56	70	90
d_6	49	57	67	81	101
d_7	61.7	69.7	79.7	93.7	113.7
a	19.9	21.9	24.4	36	43
a_1	28.6	32.1	36.4	36	43
l_1	28	32	37	44	44
l_2	16	20	25	32	32
l_3	12	12	12	12	12

Ordering Code (example):

Headed guide bush, sintered ferrite carbonitrided with long-term lubrication, ~AFNOR

= 210.35.

Diameter of conduit d_1

32 mm = 032.

Classification TOL

yellow = 10

Order No

= 210.35.032.10