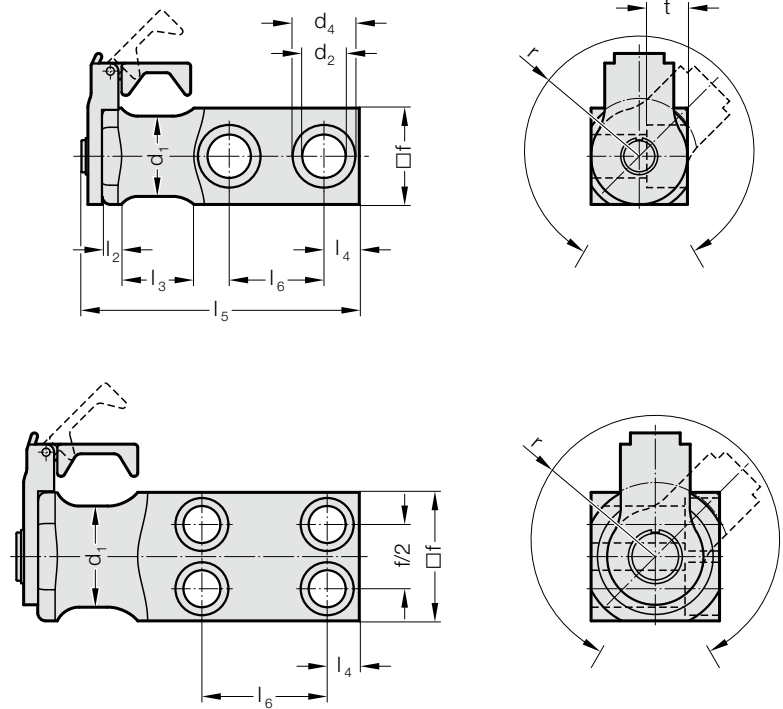


LIFTER STUD WITH CABLE SECURING DEVICE



2130.13.



Note:

For opening the cable safety device, use key 2130.00.03.01 (to be ordered separately).

2130.13. Lifter stud with cable securing device

| Order No | d ₁ | d ₂ | d ₄ | f | l ₂ | l ₃ | l ₄ | l ₅ | l ₆ | r | t | Number of screw holes | Lifting capacity [kg] |
|-------------|----------------|----------------|----------------|----|----------------|----------------|----------------|----------------|----------------|----|------|-----------------------|-----------------------|
| 2130.13.025 | 20 | 11 | 18 | 25 | 8 | 25 | 10 | 99 | 37 | 38 | 11 | 2 | 630 |
| 2130.13.035 | 25 | 13.5 | 20 | 35 | 8 | 30 | 12 | 112.5 | 38 | 42 | 13 | 2 | 1,250 |
| 2130.13.040 | 32 | 17.5 | 26 | 40 | 10 | 32 | 16 | 132.5 | 46 | 52 | 17.5 | 2 | 2,000 |
| 2130.13.050 | 40 | 22 | 33 | 50 | 10 | 40 | 18 | 152.5 | 54 | 60 | 21.5 | 2 | 3,200 |
| 2130.13.060 | 50 | 26 | 40 | 60 | 12 | 45 | 22 | 173 | 59 | 66 | 25.5 | 2 | 5,000 |
| 2130.13.080 | 63 | 22 | 33 | 80 | 15 | 50 | 20 | 213.5 | 78 | 80 | 21.5 | 4 | 8,000 |