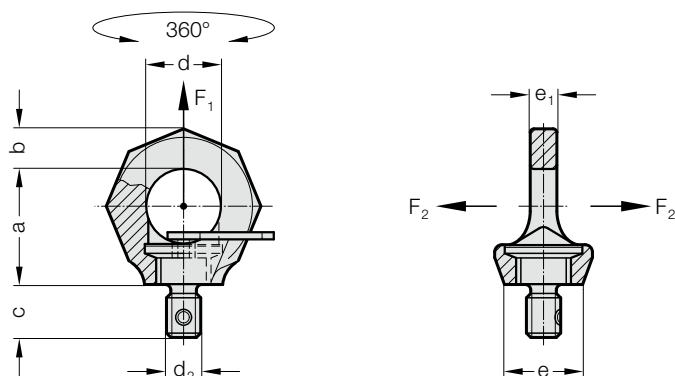


LIFTING EYE BOLT, ROTATABLE

2131.11.



Description:

During use check that the hexagon socket screw is firmly seated. Can be set for the direction of application so that there is no accidental turning and flipping over. Captive hexagon socket screw. No tools are required as the hexagon socket screw is supplied with a hardened star profile key. The star profile key engages in the hexagon socket. It can be screwed and unscrewed by hand.

Make sure that the ring is free to rotate through 360° when the unit is screwed in.

Material:

1.6541, forged, heavy duty heat treated.
100% electromagnetically crack tested, to EN 1677-4, safety factor 4:1.

Note:

Ensure that the bolting surface is flat. Thread must be screwed in completely.

Form: octagonal – clearly distinguishable to DIN 580 eye bolt

Identification: clear indication of permissible load

2131.11. Lifting eye bolt, rotatable

Order No	d ₂	c	a	b	d	e	e ₁
2131.11.006	M6	9	28	9	20	23	7
2131.11.008	M8	12	35	11	25	25	9
2131.11.010	M10	15	35	11	25	25	9
2131.11.012	M12	18	42	13	30	30	10
2131.11.016	M16	24	49	15	35	36	13
2131.11.020	M20	30	58	17	40	41	16
2131.11.024	M24	36	70	20	49	51	19
2131.11.030	M30	45	87	26	60	66	24
2131.11.036	M36	54	103	32	72	76	29
2131.11.042	M42	63	121	37	84	86	33
2131.11.048	M48	72	138	42	94	100	42

Max. carried load "G" in tonnes for various types of attachment

Type of attachment/Arrangement of the suspension points	F ₁ ↑	F ₂ ↑	F ₁ ↑, F ₂ ↓	F ₁ ↓, F ₂ ↑	F ₁ ↑, F ₂ ↓, β	F ₁ ↓, F ₂ ↑, β	F ₁ ↑, F ₂ ↓, β	F ₁ ↓, F ₂ ↑, β	F ₁ ↑, F ₂ ↓, β	F ₁ ↓, F ₂ ↑, β
Number of lines	1	1	2	2	2 symmetrical	2	3 and 4 symmetrical	3 and 4	3 and 4	3 and 4
Angle of inclination/load direction	0°	90°	0°	90°	0–45°	45–60°	asymmetrical	0–45°	45–60°	asymmetrical
Order No.	carried load in tonnes									
2131.11.006	0,5	0,1	1	0,2	0,14	0,1	0,1	0,21	0,15	0,1
2131.11.008	1	0,3	2	0,6	0,42	0,3	0,3	0,63	0,45	0,3
2131.11.010	1	0,4	2	0,8	0,56	0,4	0,4	0,84	0,6	0,4
2131.11.012	2	0,75	4	1,5	1	0,75	0,75	1,6	1,12	0,75
2131.11.016	4	1,5	8	3	2,1	1,5	1,5	3,15	2,25	1,5
2131.11.020	6	2,3	12	4,6	3,22	2,3	2,3	4,83	3,45	2,3
2131.11.024	8	3,2	16	6,4	4,48	3,2	3,2	6,7	4,8	3,2
2131.11.030	12	4,5	24	9	6,3	4,5	4,5	9,4	6,7	4,5
2131.11.036	16	7	32	14	9,8	7	7	14,7	10,5	7
2131.11.042	24	9	48	18	12,6	9	9	18,9	13,5	9
2131.11.048	32	12	64	24	16,8	12	12	25,2	18	12