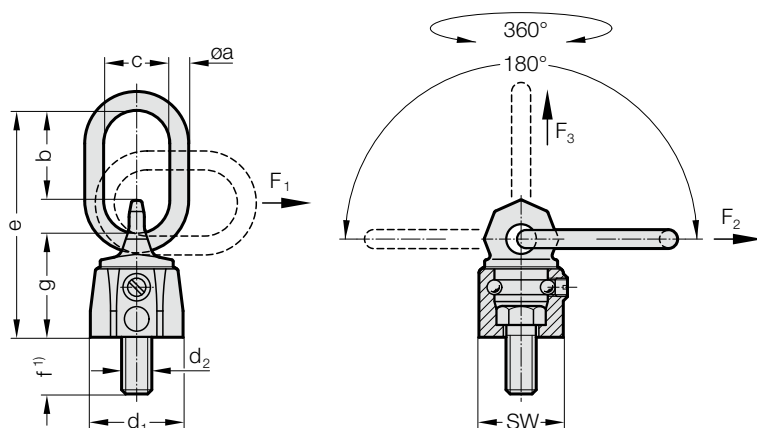


ROTARY SAFETY EYEBOLT, LIGHT DUTY, WITH BALL BEARING

2131.20.



Description:

For loads that are turned and rotated.
 Mounted on ball-bearings – can be rotated through 360° under load (F_3).
 Cannot be rotated under full load at 90° to the threaded fixing (F_1, F_2).
 Not suitable for extended rotational movement when fully loaded.
 Can be loaded on all sides with a safety factor 4:1.
 High-strength suspension eye conforming to EN 1677-4

¹) Other thread lengths available upon request.

Note:

Ensure that the bolting surface is flat. Thread must be screwed in completely.
 The threaded connection on the transported load must be suitable for transferring forces.

2131.20. Rotary safety eyebolt, light duty, with ball bearing

Order No	Rated carrying capacity									
	for F_1 [t]	d_2	f	a	b	c	d_1	e	g	SW
2131.20.008.013	0.3	M8	13	8	31	29	30	76	36	28
2131.20.010.017	0.45	M10	17	8	31	29	33.5	78	38	30

Max. carried load "G" in tonnes for various types of attachment

Type of attachment/Arrangement of the suspension points	$F_3 \uparrow$	$F_1(F_2) \uparrow$	$\uparrow \downarrow$	$\uparrow \downarrow$	$\uparrow \downarrow$	$\uparrow \downarrow$	$\uparrow \downarrow$	$\uparrow \downarrow$	$\uparrow \downarrow$	$\uparrow \downarrow$	
Number of lines	1	1	2	2	2 symmetrical	2 asymmetrical	3 and 4 symmetrical	3 and 4 asymmetrical			
Angle of inclination/load direction	0°	90°	0°	90°	0-45°	45-60°	0-45°	45-60°			
Order No.	Thread										
	carried load in tonnes										
2131.20.008.013	M 8	0,6	0,3 (0,4)	1,2	0,6 (0,8)	0,42 (0,56)	0,3 (0,4)	0,3 (0,4)	0,63 (0,84)	0,45 (0,6)	0,3 (0,4)
2131.20.010.017	M10	0,9	0,45 (0,6)	1,8	0,9 (1,2)	0,63 (0,84)	0,45 (0,6)	0,45 (0,6)	0,94 (1,26)	0,67 (0,9)	0,45 (0,6)