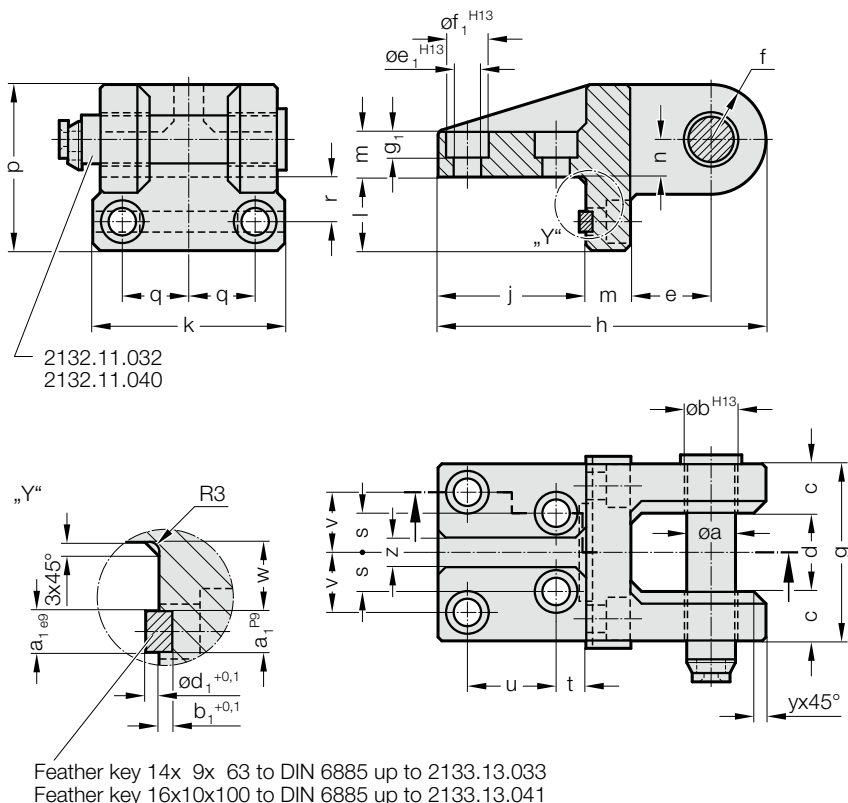


LIFTING FLANGE WITH BOLT WITH SAFETY RING, WITH FEATHER KEY, TO CNOMO STANDARD

2133.13.



Note:

Order No for spare part bolt with safety ring:
2132.11.032 for 2133.13.033
2132.11.040 for 2133.13.041

Feather key to DIN 6885:
14x9x63 up to 2133.13.033
16x10x100 up to 2133.13.041

2133.13. Lifting flange with bolt with safety ring, with feather key, to CNOMO Standard

Order No	max. carrying capacity (2 lifting flanges) [kg]*	g																												
		a	b	c	d	e	f	H13	h	j	k	l	m	n	p	q	r	s	t	u	v	w	y	z	a ₁	b ₁	d ₁	e ₁	f ₁	g ₁
2133.13.033	8,000	32	33	35	55	55	36	125	221	100	135	50	30	25	111	48	30	28	20	60	42	24	10	20	14	4.5	4.5	18	28	17
2133.13.041	12,600	40	41	50	60	60	45	160	270	125	180	60	40	35	140	65	35	40	30	70	55	27	12.5	25	16	5	5	22	36	21

*The maximum permissible load capacity is to be calculated such that two lifting flanges one their own are capable of carrying or turning the tool.