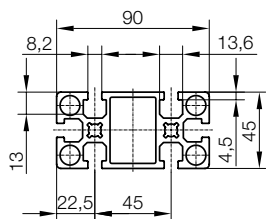
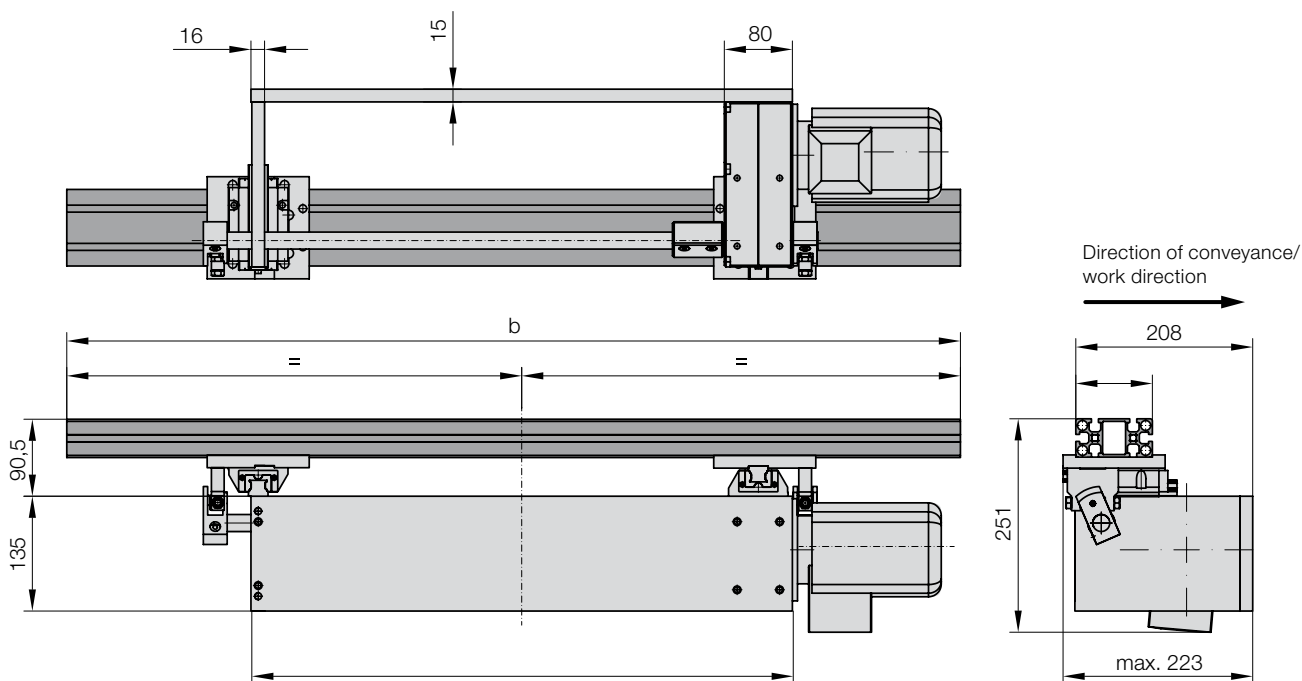


ELECTRO-MECHANICAL TRANSPORTER, HORIZONTAL GEAR POSITION, 2 CARRIAGES, WITH PROFILE AND SUPPORT



2299.122.



2299.122. Electro-mechanical transporter, horizontal gear position, 2 carriages, with profile and support

b	1,300	1,400	1,500	1,600	1,700	1,800	1,900	2,000	2,100	2,200	2,300	2,400	2,500	2,600	2,700	2,800	2,900	3,000	
a	-----																		
900	●	●	●	●	●														
1200						●	●	●	●	●	●	●	●	●	●	●	●	●	●
1500													●	●	●	●	●	●	●

Ordering Code (example):

Electro-mechanical transporter, horizontal gear position, 2 carriages, with profile and support	= 2299.122.
b = 2200 mm	= 2200.
a = 1200 mm	= 1200
Order No	= 2299.122. 2200. 1200