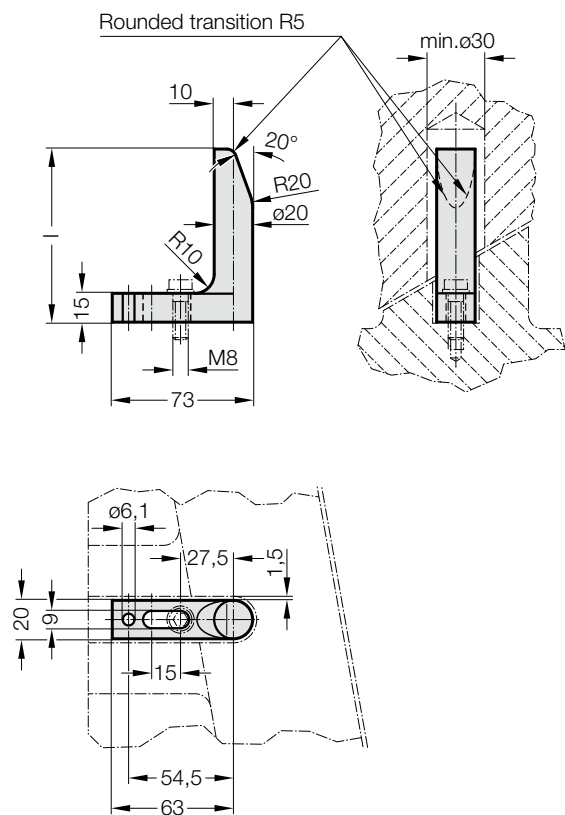


GUIDE TO MERCEDES-BENZ STANDARD - HARDENED

2443.10.20. .1



Material:

Ck 60, area of pilot taper hardened 58 + 2 HRC

Execution:

forged

Note:

Guides are preferably used in confined spaces in sequential compound dies.

2443.10.20. .1 Guide to Mercedes-Benz Standard - hardened

Order No	1
2443.10.20.065.1	65
2443.10.20.090.1	90