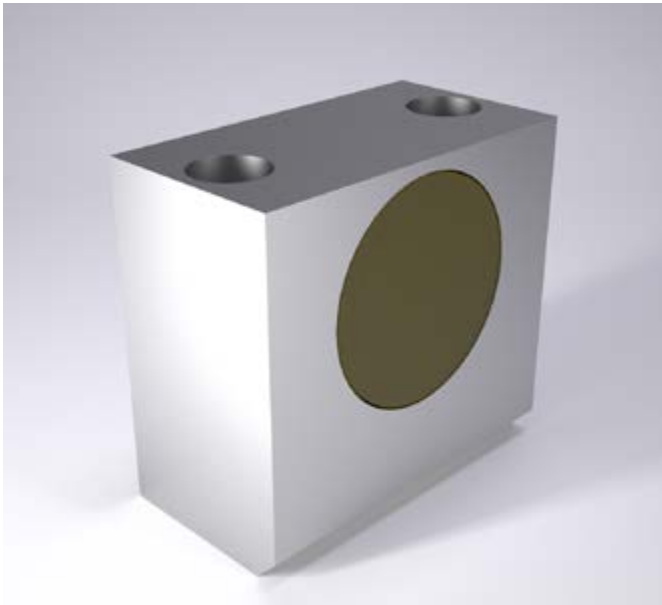
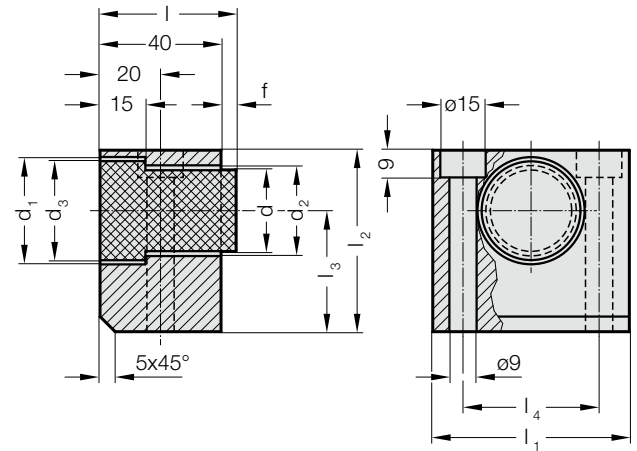


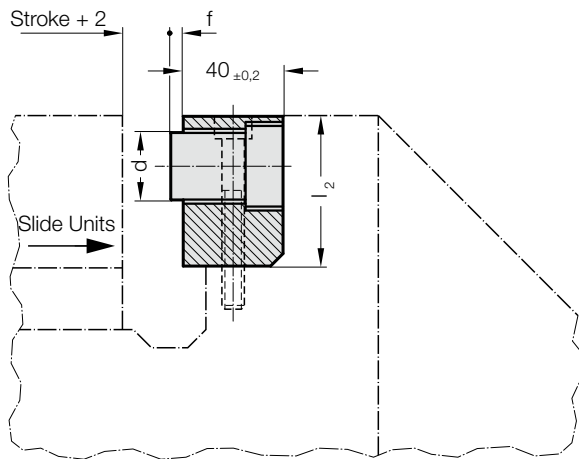
SLIDE STOP



2451.6.



Mounting example



Material:

Mounting block: Steel

Stop buffer: FIBROFLEX®, 90 Shore A

Note:

Screws are not included.

Order No for spare part: Stop buffer 2451.6.□□□.2

Fixing:

Use socket cap screws DIN EN ISO 4762 M8.

2451.6. Slide stop

Order No	d	d ₁	d ₂	d ₃	l	l ₁	l ₂	l ₃	l ₄	f	Spring force [N]
2451.6.027	27	35	30	34	45	65	60	40	45	5	5,200
2451.6.036	36	45	40	44	45	75	70	45	55	5	9,800