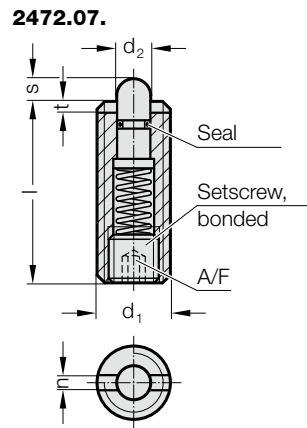


SPRING PLUNGER, WITH SPRING LOADED PIN AND SEAL, WITH HEXAGON SOCKET, STANDARD SPRING FORCE



Material:

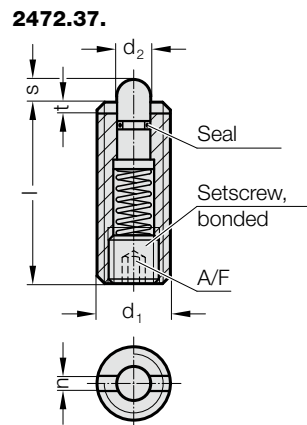
Sleeve: Free machining steel, burnished
 Pin: Free machining steel hardened, burnished
 Spring: Nirosta

Note:

For locking and for pressing upwards or downwards. The seal prevents the ingress of liquids into the forcing pin. Assembly and dismantling using hexagon socket key and slotted screwdriver.
 Temperature operating range: -30°C up to 80°C

2472.07. Spring plunger, with spring loaded pin and seal, with hexagon socket, standard spring force

[N] Order No	d ₁	d ₂	l	n	s	t	SW	Spring force [N]	
								initial	final
2472.07.008	M8	3.8	26	1.5	3	1.4	2.5	9	24
2472.07.010	M10	4	28	1.5	3.5	1.4	3	15	30
2472.07.012	M12	6	35	2.7	4	2	4	24	50
2472.07.016	M16	7.5	40	3.2	5	2.5	5	36	58



Material:

Sleeve: Inox 1.4305
 Pin: Inox 1.4305
 Spring: Nirosta

Note:

For locking and for pressing upwards or downwards. The seal prevents the ingress of liquids into the forcing pin. Assembly and dismantling using hexagon socket key and slotted screwdriver.
 Temperature operating range: -30°C up to 80°C

2472.37. Spring plunger, with spring loaded pin and seal, with hexagon socket, standard spring force

[N] Order No	d ₁	d ₂	l	n	s	t	SW	Spring force [N]	
								initial	final
2472.37.008	M8	3.8	26	1.5	3	1.4	2.5	9	24
2472.37.010	M10	4	28	1.5	3.5	1.4	3	15	30
2472.37.012	M12	6	35	2.7	4	2	4	24	50
2472.37.016	M16	7.5	40	3.2	5	2.5	5	36	58