

CONTROL FITTING



- 2480.00.30.01.1 without pressure switch, without pressure relief
- 2480.00.30.02.1 with pressure switch, without pressure relief
- 2480.00.30.03.1 without pressure switch, with pressure relief
- 2480.00.30.04.1 with pressure switch, with pressure relief

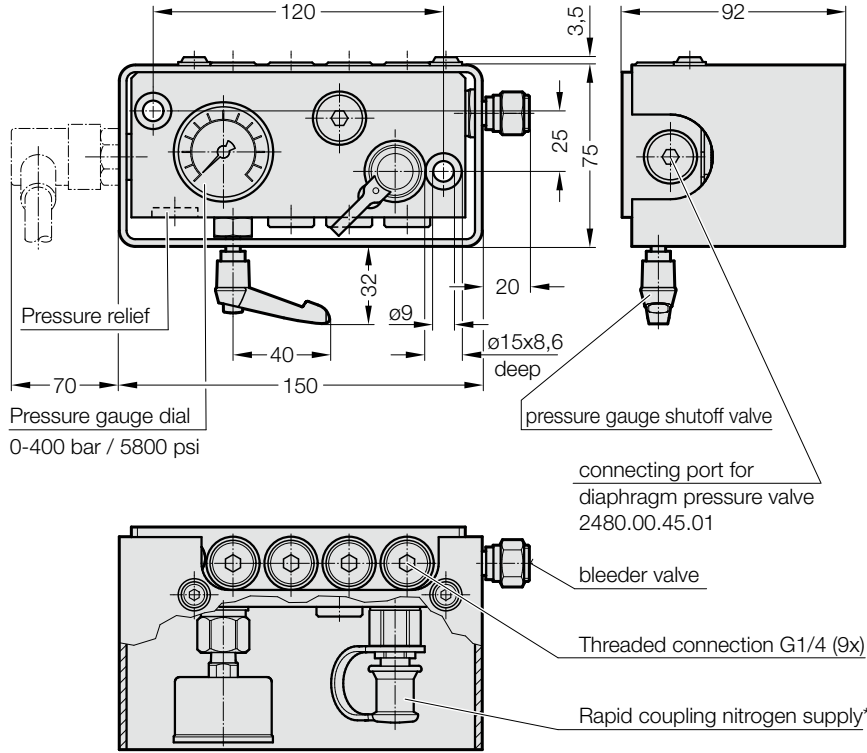
Description:

The control fitting 2480.00.30.01.1/02.1/03.1/04.1 serves to control the charge pressure of up to eight connected gas springs. Pressure checks during operation can be effected in two ways:

- a) via optical monitoring of the pressure gauge dial.
- b) via automatic monitoring with a diaphragm pressure switch. The switch will shut down the machine or trigger a signal.

Note:

The shut-off valve can be either open or closed during operation. Closing the pressure gauge shut-off valve ensures that no pressure pulsations from the gas springs act on the pressure gauge.
 * 2 m long filling hose
 Order no. 2480.00.31.02 to be ordered separately



- 2480.00.31.01.1 without pressure switch
- 2480.00.31.06.1 with pressure switch
- 2480.00.31.07.1 without pressure switch and with pressure relief
- 2480.00.31.08.1 with pressure switch, with pressure relief



Description:

The control fitting 2480.00.31.01.1 performs the same function as the control armature 2480.00.30.01.1

Note:

* 2 m long filling hose
 Order no. 2480.00.31.02 order separately

