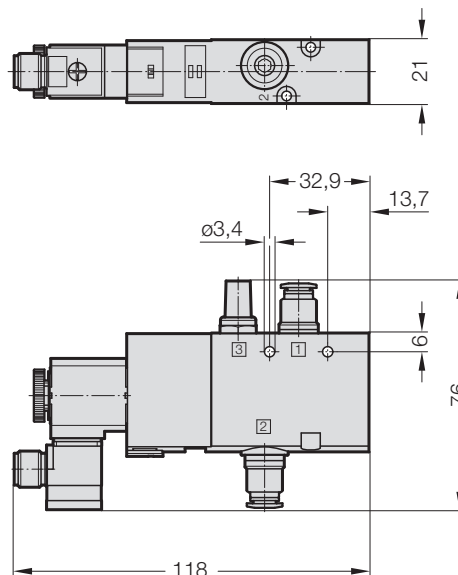
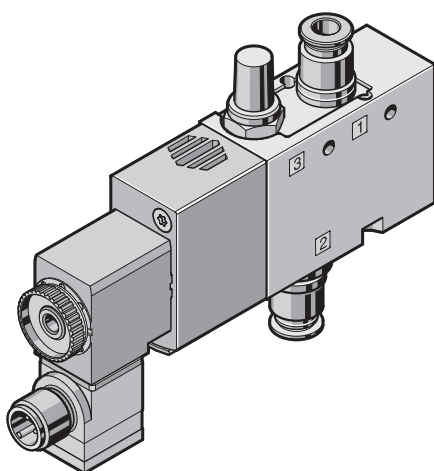


CONTROLLABLE GAS SPRINGS CONTROL SYSTEM

2489.00.41.33

3/2 way valve, electro-pneumatic



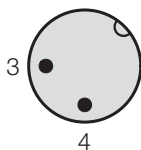
TECHNICAL DATA:

Fluid: Air or inert gas, filtered oily or dry

Voltage: 24V DC – (2,6 W)

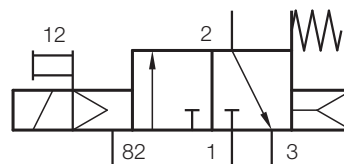
- One valve can control up to 6 gas springs or one valve block (KF + KP system).

ELECTRICAL CONNECTION PORT



CONNECTION SYMBOL: VALVE

Initial position closed



CONNECTION CABLE STRAIGHT

order separately

Order No		l [m]
2489.00.41.00.01	M12x1, 3-pole end open	2,50

CONNECTION CABLE 90°

order separately

Order No		l [m]
2489.00.41.00.02	M12x1, 3-pole end open	2,50