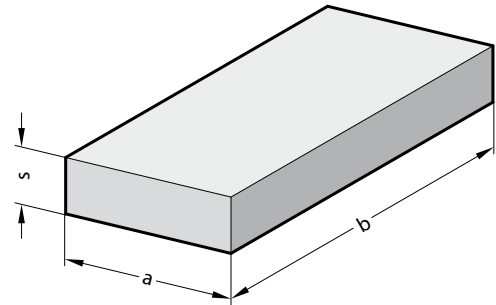


FIBROELAST®-PLATE



2511.3.



Material:

Polyester-based polyurethane
Hardness 65 Shore A

Colour:

white

Note:

Other plate thicknesses available upon request.

Physical properties:

Shore hardness A: 65
100% modulus of elasticity: 2,4 [N/mm²]
300% modulus of elasticity: 4,6 [N/mm²]
Tensile strength: 26 [N/mm²]
Elongation: 550 [%]
Tear resistance: 46 [kN/m]

Permanent set (70°C): 45 [%]
Rebound elasticity: 58 [%]
Maximum deformation: 40 [%]

Ordering Code (example):

FIBROELAST®-Plate	=2511.3.
Thickness s	6 mm = 006.
Width a	500 mm = 0500.
Length b	500 mm = 0500.
Order No	=2511.3. 006. 0500. 0500

2511.3. FIBROELAST®-Plate

a	250	250	500	500
b	250	500	500	1,000
s				
1	●	●	●	●
2	●	●	●	●
3	●	●	●	●
4	●	●	●	●
5	●	●	●	●
6	●	●	●	●
7	●	●	●	●
8	●	●	●	●
10	●	●	●	●
12	●	●	●	●
15	●	●	●	●