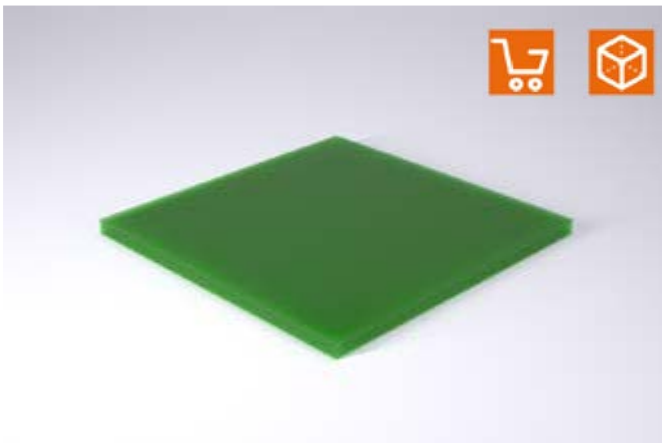
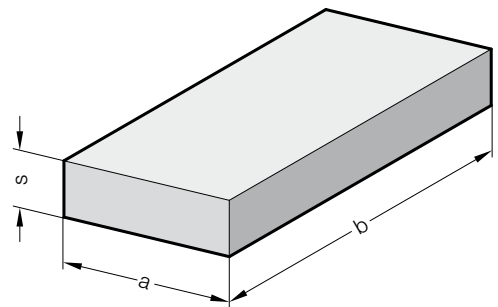


FIBROFLEX®-PLATTE



251.



Ausführung:

FIBROFLEX® ist in 3 Shore-A-Härten lieferbar:

.5. = 80 Shore A = grün

.6. = 90 Shore A = gelb

.7. = 95 Shore A = rot

Weitere technische Daten siehe am Anfang des Kapitels G.

Bestell-Beispiel:

FIBROFLEX®-Platte	=251.
Federhärte	80 Shore A = 5.
Dicke s	15 mm = 015.
Länge a	250 mm = 0250.
Breite b	250 mm = 0250
Bestell-Nummer	=251. 5.015. 0250. 0250

251. FIBROFLEX®-Platte

a	250	250	500	500	1.000
b	250	500	500	1.000	1.000
s					
1	●	●	●	●	
2	●	●	●	●	
3	●	●	●	●	
4	●	●	●	●	
5	●	●	●	●	
6	●	●	●	●	
7	●	●	●	●	
8	●	●	●	●	●
10	●	●	●	●	●
12	●	●	●	●	●
15	●	●	●	●	●
20	●	●	●	●	●
25	●	●	●	●	●
30	●	●	●	●	●
40	●	●	●	●	●
50	●	●	●	●	●
60	●	●	●	●	
70	●	●	●	●	
80	●	●	●	●	