

STRIPPER FOR BLANKING DIES TO MERCEDES-BENZ- / VW STANDARD / VDI 3362



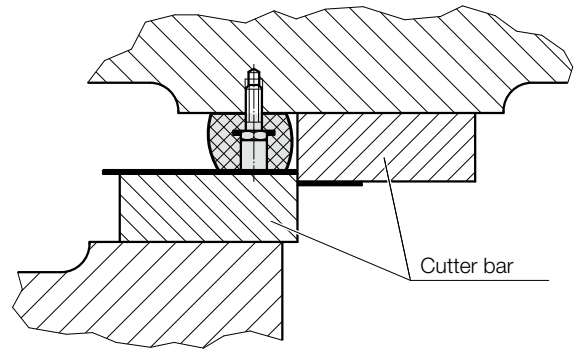
Material:
Perbunan
Hardness according to DIN
53505:
Shore A65±5

Execution:
Tolerances for finished parts to
DIN ISO 3302-1

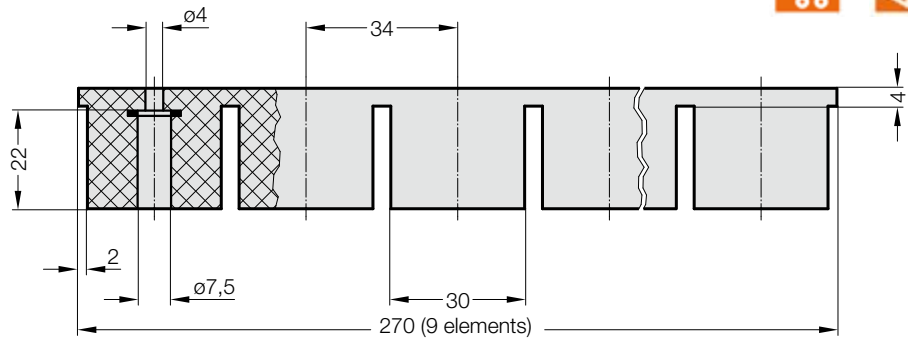
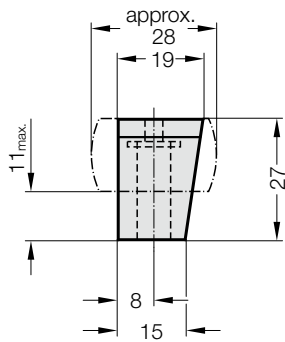
Application:
For blanking die tools

Supplied without screws

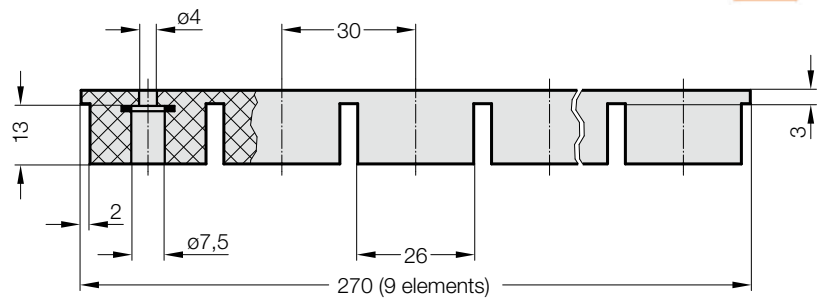
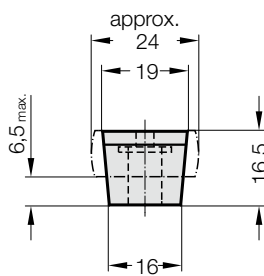
Mounting example



2532.2.190.270.0306



2532.2.190.165.0270



2532.2.150.115.0270

