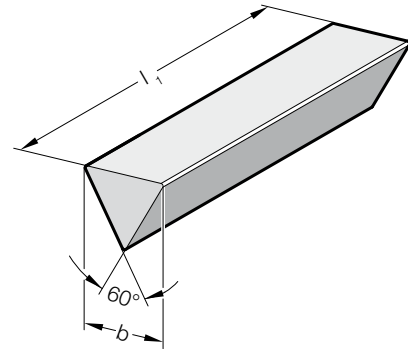


## FIBROFLEX®-TRIANGULAR ROD (60°)



256.




### Execution:

FIBROFLEX® is available in 3 Shore hardnesses:

.5.=80 Shore A = colour: Green

.6.=90 Shore A = colour: Yellow

.7.=95 Shore A = colour: Red

 Further technical data at the beginning of Chapter G.

### Ordering Code (example):

FIBROFLEX®-Triangular rod (60°)		=256.
Spring hardness MAT	80 Shore A	= 5.
Edge length b	50 mm	= 050.
Length l <sub>1</sub>	250 mm	= 0250
Order No		=256. 5.050. 0250

### 256. FIBROFLEX®-Triangular rod (60°)

b	l <sub>1</sub>	250	500
35		●	●
50		●	●
80		●	●