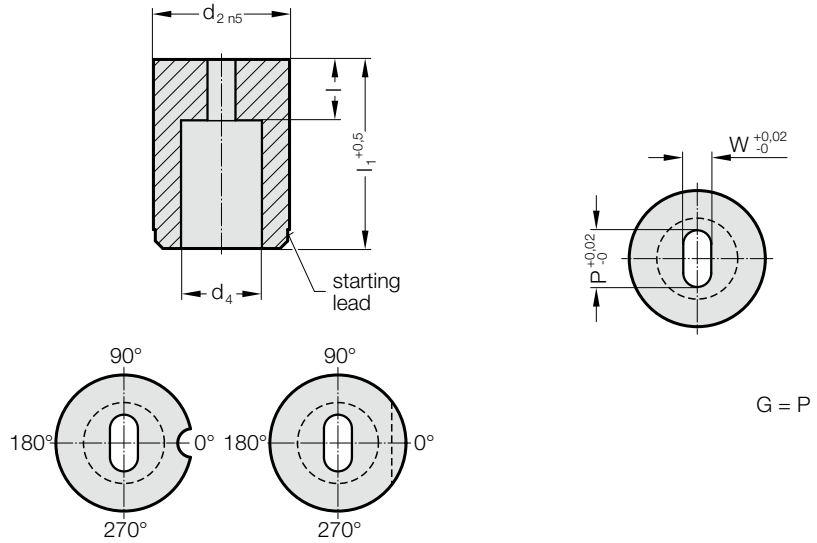


MATRIX WITHOUT SHOULDER, SLOT, ISO 8977



2646.



2646. Matrix without shoulder, slot, ISO 8977

d_2 / Order No	d_4	W_{min}	G_{max}	I / Order No	l_1 / (Order Code character)	16 (B)	20 (C)	22 (D)	25 (E)	28 (F)	30 (G)	32 (H)	35 (J)	40 (K)
10 / (4)	5.8	1.2	5	4 (3) 8 (6)		●	●	●	●	●	●	●	●	●
13 / (5)	8	2	7	5 (4) 8 (6)			●	●	●	●	●	●	●	●
16 / (6)	9.5	2.4	9	5 (4) 8 (6)			●	●	●	●	●	●	●	●
20 / (7)	12	3.2	11	8 (6) 12 (8)			●	●	●	●	●	●	●	●
22 / (8)	15	4	14	8 (6) 12 (8)			●	●	●	●	●	●	●	●
25 / (9)	17.3	4.8	16	8 (6) 12 (8)			●	●	●	●	●	●	●	●
32 / (10)	20.7	5.5	20	8 (6) 12 (8)			●	●	●	●	●	●	●	●
38 / (11)	27.7	6.4	27	8 (6) 12 (8)					●	●	●	●	●	●
40 / (12)	27.7	6.4	27	8 (6) 12 (8)					●	●	●	●	●	●
50 / (14)	37	9	36	8 (6) 12 (8)					●	●	●	●	●	●

Material:

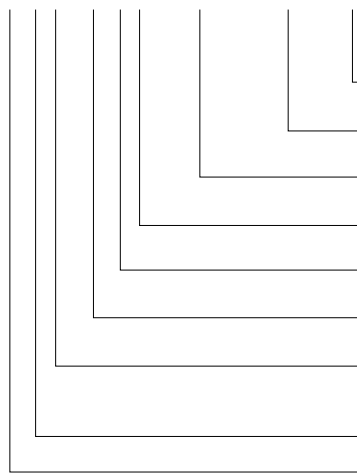
HSS
Hardness 62 ± 2 HRC

Execution:

Diameter d_2 , starting lead and face surfaces ground.
Special dimensions on request.

Ordering Code (example): with anti-rotation element

2646.10F8.1350.0650.B2



Anti-rotation element:
Pin \varnothing 4 mm
Angle:
90°
Shape: slot, Width W
W = 6,5 mm
Shape: slot, Length P
P = 13,5 mm
Shape cutting length: I
12 mm
Length: l_1
28 mm
Diameter: d_2
32 mm
Type:
without shoulder
ISO 8977
Execution:
slot
Matrix

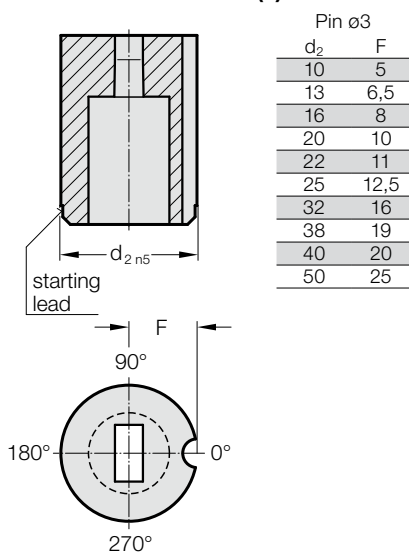
Order No
= (2)
Order Code character
= (B)

= 0650

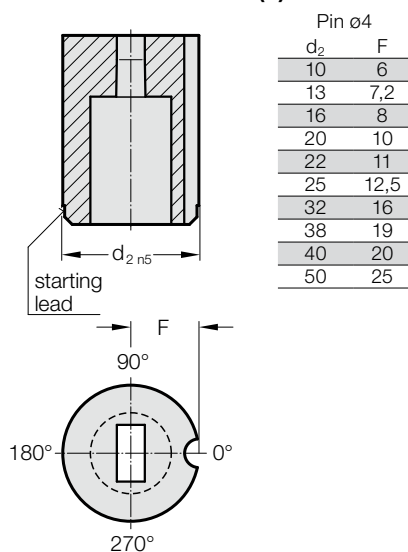
= 1350
Order No
= (8)
Order Code character
= (F)
Order No
= (10)
Order No
= (6)
Order No
= (4)
= 26

MATRIXES WITHOUT SHOULDER, CYLINDRICAL, ISO 8977, ANTI-ROTATION ELEMENTS

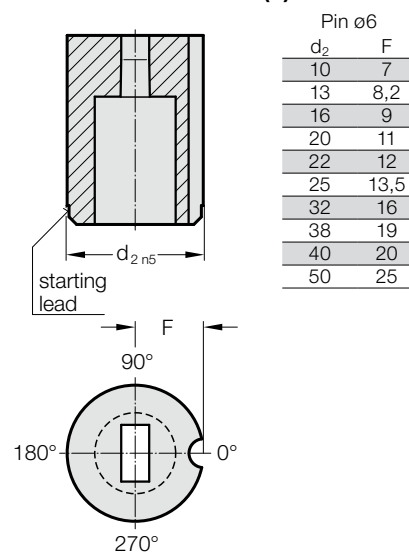
Anti-rotation element 1 (1)



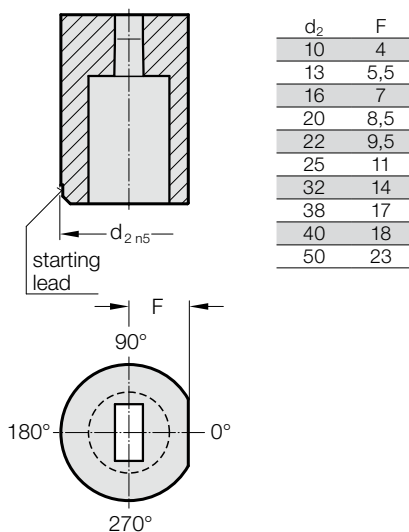
Anti-rotation element 2 (2)



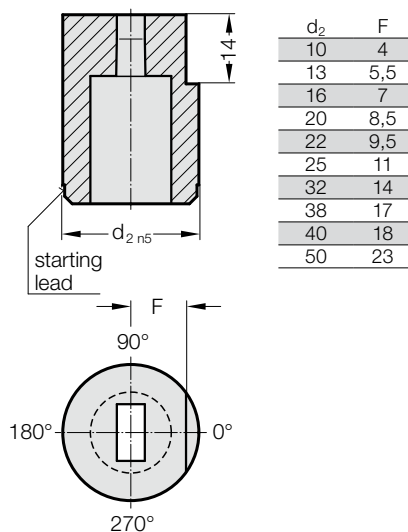
Anti-rotation element 3 (3)



Anti-rotation element 4 (4)



Anti-rotation element 5 (5)



Anti-rotation element 6 (6)

