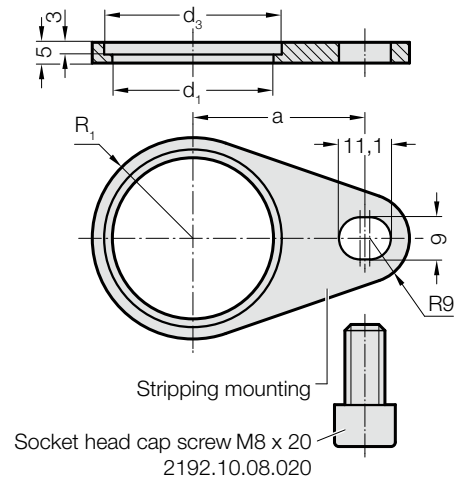


STRIPPING UNIT - MOUNTING PLATE



2667.2.



Note:

Pressure plate, mounting plate and screw must all be ordered individually.

2667.2. Stripping unit - Mounting plate

Order No	d ₂	d ₁	d ₃	R ₁	a
2667.2.010	10	19	22	13	28
2667.2.013	13	24	27	15.5	31
2667.2.016	16	29	32	18	32.9
2667.2.020	20	34	37	20.5	34.8
2667.2.025	25	41	44	24	39.8
2667.2.032	32	51	56	31	41.3
2667.2.038	38	61	66	36	45
2667.2.040	40	61	66	36	45

Mounting example

