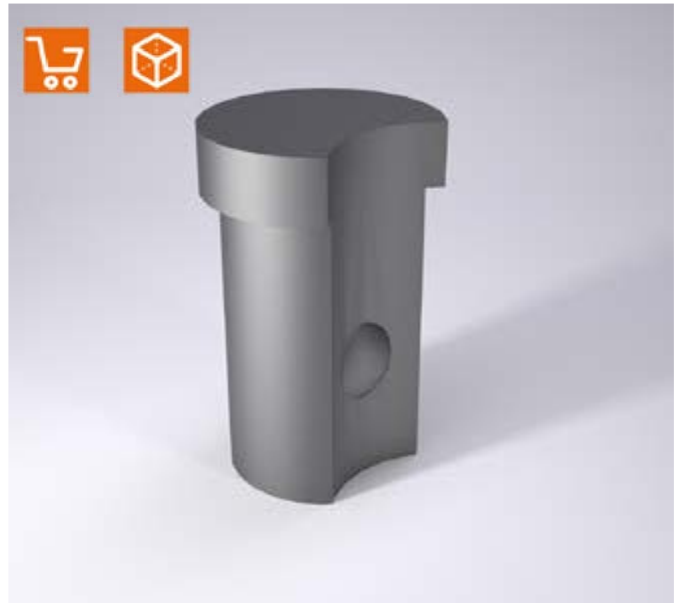
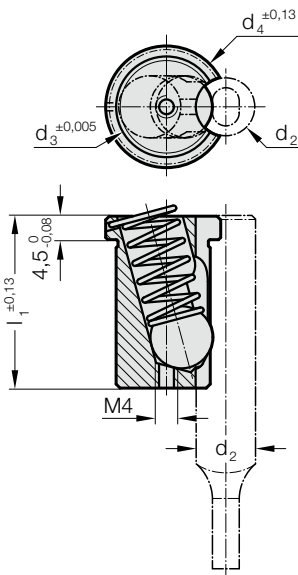


# ACCU-LOCK FIXTURE DEVICE FOR BALL-LOCK PUNCHES, LIGHT DUTY

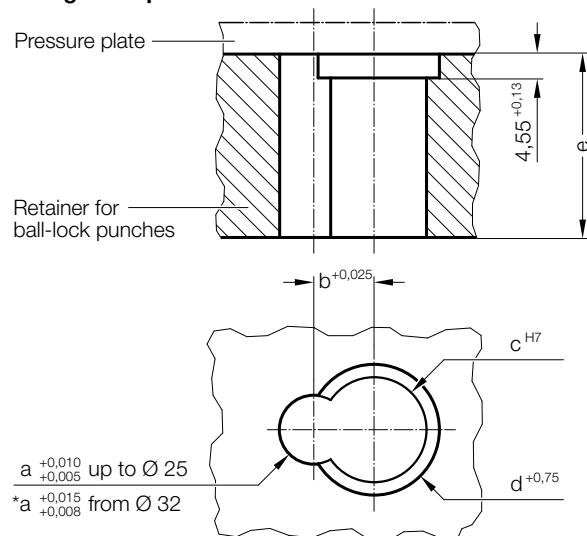
2668.2.



**Note:**

Use ball release tool 2666.05.02, straight.

**Mounting example**



**2668.2. ACCU-LOCK Fixture device for ball-lock punches, light duty**

Order No	d <sub>2</sub>	d <sub>3</sub>	d <sub>4</sub>	l <sub>1</sub>	a	b	c	d	e
2668.2.06	6	12	14.6	25.7	6	6.5	12.013	15	25.7
2668.2.10	10	14	16.6	25.7	10	9	14.013	17	25.7
2668.2.13	13	14	16.6	25.7	13	10.5	14.013	17	25.7
2668.2.16	16	14	16.6	25.7	16	12	14.013	17	25.7
2668.2.20	20	16	18.6	25.7	20	14	16.013	19	25.7
2668.2.25	25	16	18.6	25.7	25	16.5	16.013	19	25.7
2668.2.32	32	16	18.6	25.7	32	20	16.013	19	25.7
2668.2.38	38	16	18.6	25.7	38	23	16.013	19	25.7