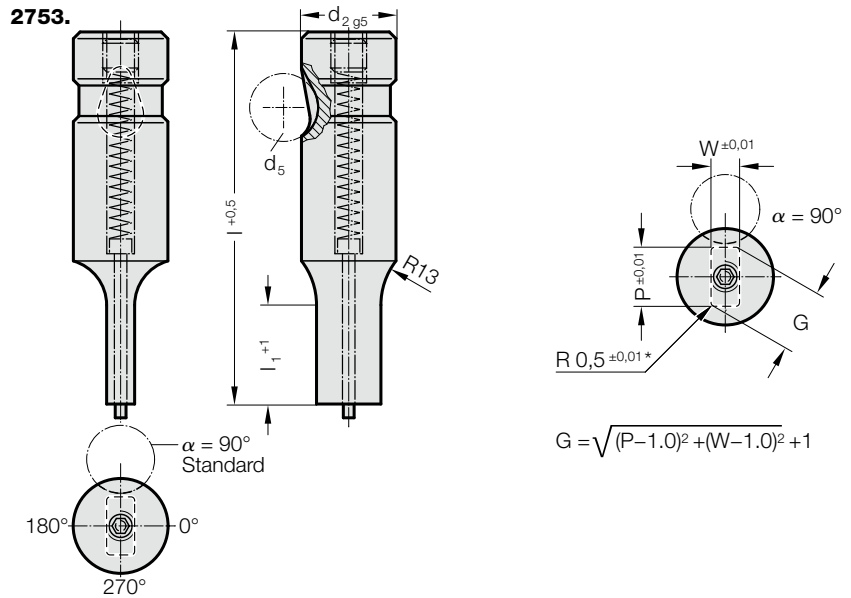


# BALL-LOCK PUNCH, STEPPED, RECTANGLE WITH RADIUSSED CORNERS, WITH EJECTOR PIN, HEAVY DUTY



## 2753. Ball-Lock punch, stepped, rectangle with radiussed corners, with ejector pin, heavy duty

$d_2$ / Order No	$d_5$	$W_{min}$	$G_{max}$	$l_1$ / Order No	$l$ (Order Code character)	63 (C)	71 (D)	80 (E)	90 (F)	100 (G)	110 (H)	125 (J)
10 / (2)	10	4	9.9	13(1) 19(2)		●	●	●	●	●		
13 / (3)	12	6	12.9	13(1) 19(2)		●	●	●	●	●	●	●
16 / (4)	12	8	15.9	13(1) 19(2) 25(3)		●	●	●	●	●	●	●
20 / (5)	12	10	19.9	13(1) 19(2) 25(3)		●	●	●	●	●	●	●
25 / (6)	12	12	24.9	13(1) 19(2) 25(3)			●	●	●	●	●	●
32 / (7)	12	16	31.9	13(1) 19(2) 25(3)			●	●	●	●	●	●
40 / (9)	12	19	39.9	19(2) 25(3) 30(4)				●	●	●	●	●

\*at  $d_2 = 16/20$  and  $l = 63$ ;  $l_{1 max.} = 19$

### Material:

HSS

Hardness  $62 \pm 2$  HRC

### Execution:

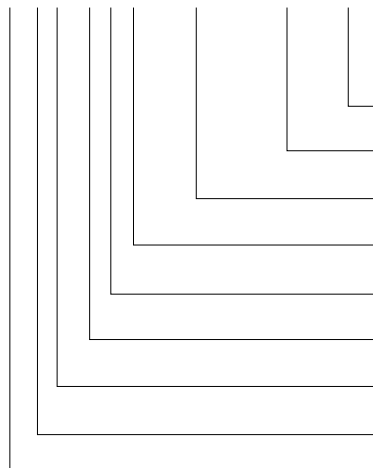
Shaft and punch shape fine ground.

Special dimensions on request.

\* For other radius options, see standardised special shapes.

### Ordering Code (example):

**2753.3F1.1215.0915.B**



**Angle:**

90°

**Shape: rectangle with radiused corners, Width W**

W = 9,15 mm

**Shape: rectangle with radiused corners, Length P**

P = 12,15 mm

**Punch cutting length:  $l_1$**

13 mm

**Length:  $l$**

90 mm

**Diameter:  $d_2$**

13 mm

**Type:**

heavy

**Execution:**

rectangle with radiused corners

**Punch:**

with ejector pin

**Order Code character**

= (B)

**Order Code character**

= 0915

**Order Code character**

= 1215

**Order No**

= (1)

**Order Code character**

= (F)

**Order No**

= (3)

**Order No**

= (3)

**Order No**

= (5)

= 27