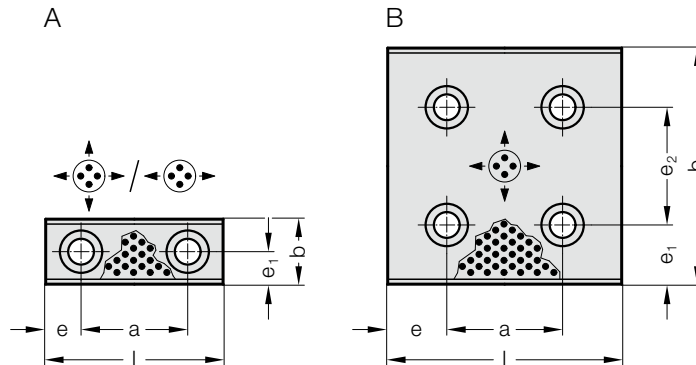


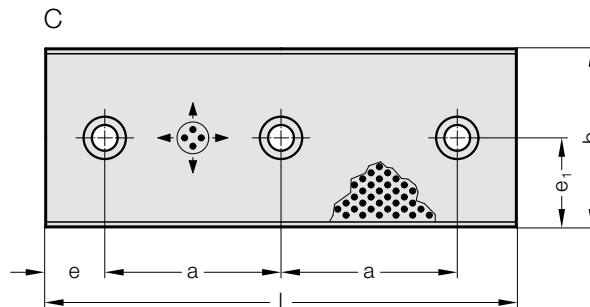
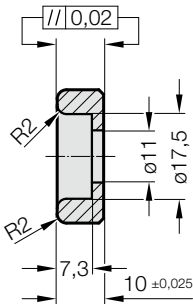
FLAT GUIDE BAR, BRONZE WITH SOLID LUBRICANT



2961.75.



2961.75.



Material:

Bronze with solid lubricant, oilless lubricating

Note:

Screws are not included.

Attention:

Direction of motion of flat guide bars with a width of $b = 28$ and 38 mm only in longitudinal direction.

Fixing:

Use socket cap screws DIN 7984 M10.

2961.75. Flat guide bar, Bronze with solid lubricant

| Order No | Shape | b | l | e | a | e ₁ | e ₂ | Number of screw holes |
|-----------------|-------|-----|-----|----|-----|----------------|----------------|-----------------------|
| 2961.75.028.075 | A | 28 | 75 | 15 | 45 | 14 | - | 2 |
| 2961.75.028.100 | A | 28 | 100 | 25 | 50 | 14 | - | 2 |
| 2961.75.028.125 | A | 28 | 125 | 25 | 75 | 14 | - | 2 |
| 2961.75.028.150 | A | 28 | 150 | 25 | 100 | 14 | - | 2 |
| 2961.75.038.075 | A | 38 | 75 | 15 | 45 | 19 | - | 2 |
| 2961.75.038.100 | A | 38 | 100 | 25 | 50 | 19 | - | 2 |
| 2961.75.038.125 | A | 38 | 125 | 25 | 75 | 19 | - | 2 |
| 2961.75.038.150 | A | 38 | 150 | 25 | 100 | 19 | - | 2 |
| 2961.75.048.075 | A | 48 | 75 | 15 | 45 | 24 | - | 2 |
| 2961.75.048.100 | A | 48 | 100 | 25 | 50 | 24 | - | 2 |
| 2961.75.048.125 | A | 48 | 125 | 25 | 75 | 24 | - | 2 |
| 2961.75.048.150 | A | 48 | 150 | 25 | 100 | 24 | - | 2 |
| 2961.75.048.200 | A | 48 | 200 | 50 | 100 | 24 | - | 2 |
| 2961.75.058.075 | A | 58 | 75 | 15 | 45 | 29 | - | 2 |
| 2961.75.058.100 | A | 58 | 100 | 25 | 50 | 29 | - | 2 |
| 2961.75.058.125 | A | 58 | 125 | 25 | 75 | 29 | - | 2 |
| 2961.75.058.150 | A | 58 | 150 | 25 | 100 | 29 | - | 2 |
| 2961.75.058.200 | A | 58 | 200 | 50 | 100 | 29 | - | 2 |
| 2961.75.075.075 | A | 75 | 75 | 15 | 45 | 37,5 | - | 2 |
| 2961.75.075.100 | A | 75 | 100 | 25 | 50 | 37,5 | - | 2 |
| 2961.75.075.125 | A | 75 | 125 | 25 | 75 | 37,5 | - | 2 |
| 2961.75.075.150 | A | 75 | 150 | 25 | 100 | 37,5 | - | 2 |
| 2961.75.075.200 | C | 75 | 200 | 25 | 75 | 37,5 | - | 3 |
| 2961.75.100.100 | B | 100 | 100 | 25 | 50 | 25 | 50 | 4 |
| 2961.75.100.125 | B | 100 | 125 | 25 | 75 | 25 | 50 | 4 |
| 2961.75.100.150 | B | 100 | 150 | 25 | 100 | 25 | 50 | 4 |
| 2961.75.100.200 | B | 100 | 200 | 25 | 150 | 25 | 50 | 4 |
| 2961.75.100.250 | B | 100 | 250 | 25 | 200 | 25 | 50 | 4 |
| 2961.75.125.150 | B | 125 | 150 | 25 | 100 | 37,5 | 50 | 4 |
| 2961.75.125.200 | B | 125 | 200 | 25 | 150 | 37,5 | 50 | 4 |
| 2961.75.125.250 | B | 125 | 250 | 25 | 200 | 37,5 | 50 | 4 |
| 2961.75.150.150 | B | 150 | 150 | 25 | 100 | 25 | 100 | 4 |
| 2961.75.150.200 | B | 150 | 200 | 25 | 150 | 25 | 100 | 4 |