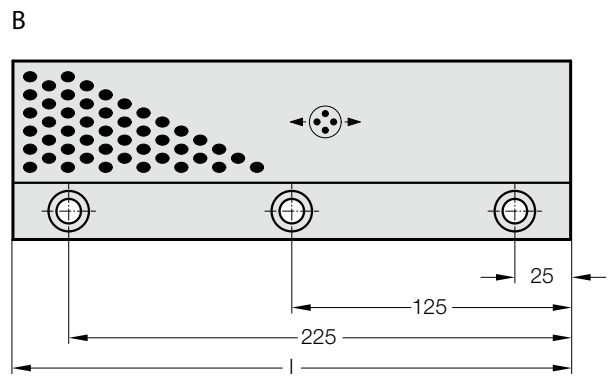
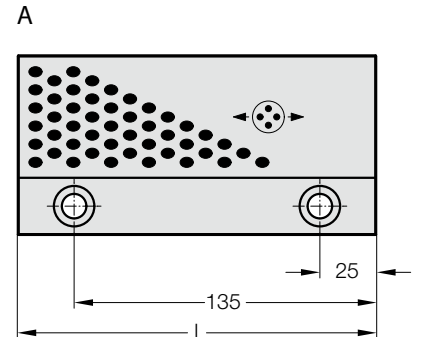
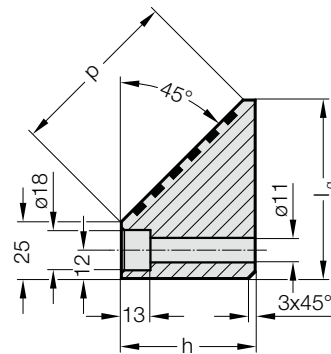


# SINGLE-SIDED PRISMATIC GUIDE, BRONZE WITH SOLID LUBRICANT, CNOMO



2965.80.45.



**Material:**

Bronze with solid lubricant, oilless lubricating

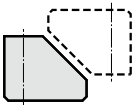
**Note:**

Matching single-sided prismatic sliding blocks 2965.82.45.

Screws and pins are not included.

**Fixing:**

Use socket cap screws DIN EN ISO 4762 M10.



**2965.80.45. Single-sided prismatic guide, Bronze with solid lubricant, CNOMO**

Order No	Shape	lg	h	l	p	Number of screw holes
2965.80.45.060.045.160	A	60	45	160	50	2
2965.80.45.060.045.250	B	60	45	250	50	3
2965.80.45.080.060.160	A	80	60	160	80	2
2965.80.45.080.060.250	B	80	60	250	80	3