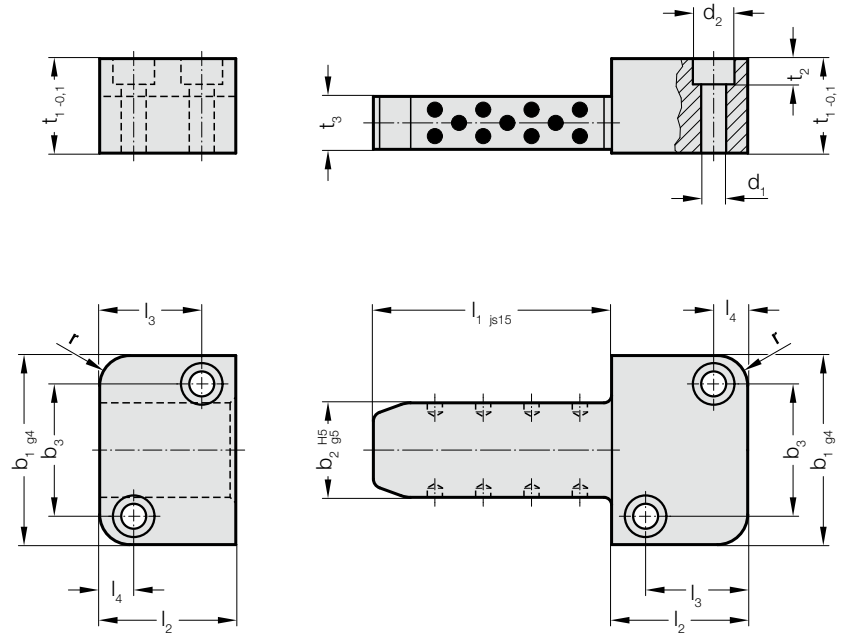


RECTANGULAR GUIDE, STEEL WITH SOLID LUBRICANT



3131.40.



Material:

Steel with solid lubricant
Surface: case hardened, 580+40 HV 30

Steel
Surface: case hardened, 700+60 HV 30

Note:

The maximum operating temperature is 200°C.

3131.40. Rectangular Guide, Steel with solid lubricant

Order No	l_2	b_2	l_1	b_1	r	t_1	t_2	t_3	d_1	d_2	b_3	l_3	l_4
3131.40.022.016.020	22	16	20	40	6	20	6.8	11	6.6	11	26	15	7
3131.40.022.016.040	22	16	40	40	6	20	6.8	11	6.6	11	26	15	7
3131.40.027.020.025	27	20	25	45	6	22	6.8	13	6.6	11	31	19	7
3131.40.027.020.050	27	20	50	45	6	22	6.8	13	6.6	11	31	19	7
3131.40.036.025.032	36	25	32	50	8	25	6.8	14	6.6	11	35	27	9
3131.40.036.025.063	36	25	63	50	8	25	6.8	14	6.6	11	35	27	9
3131.40.046.032.040	46	32	40	63	8	32	9	19	9	15	45	35	11
3131.40.046.032.080	46	32	80	63	8	32	9	19	9	15	45	35	11
3131.40.056.040.050	56	40	50	85	10	36	11	22	11	18	60	40	15
3131.40.056.040.100	56	40	100	85	10	36	11	22	11	18	60	40	15
3131.40.066.050.056	66	50	56	100	10	40	13	24	14	20	74	48	18
3131.40.066.050.112	66	50	112	100	10	40	13	24	14	20	74	48	18